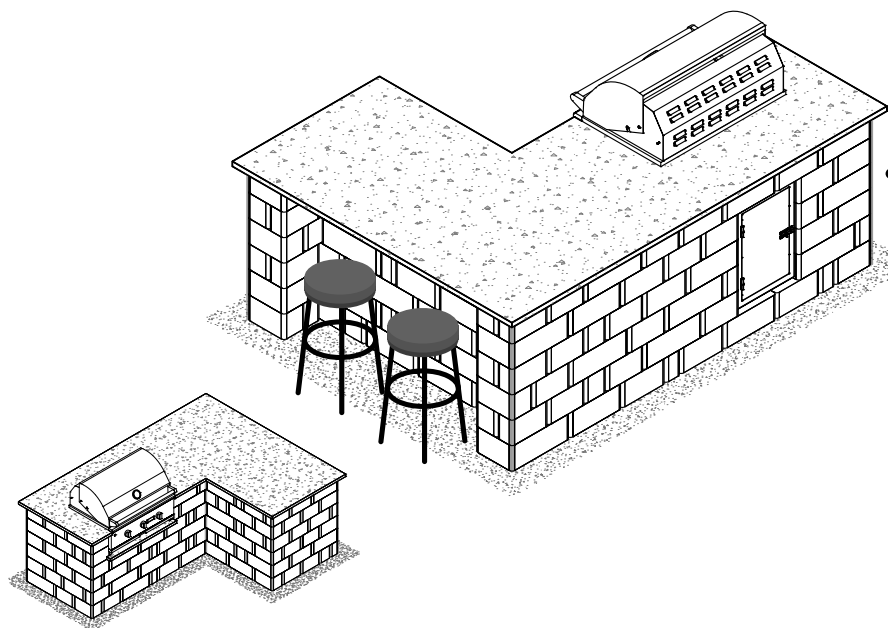


RIGHT FACING



LEFT FACING



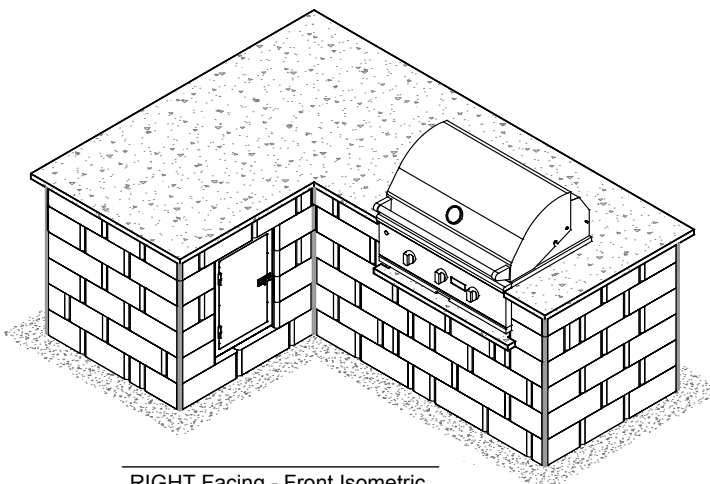
# L-Shaped Grill Station - With Seating

3-Pallet Design

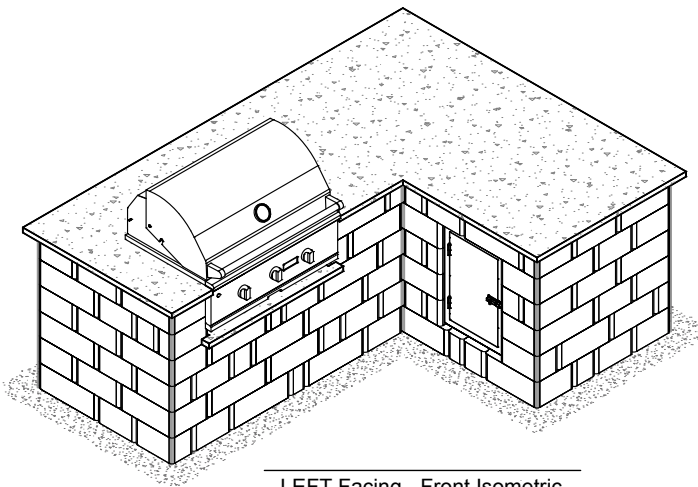




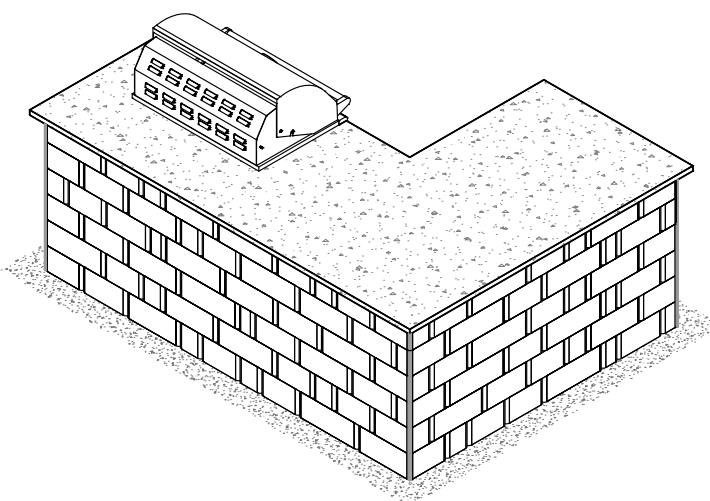
# L-Shaped Grill Station - With Seating



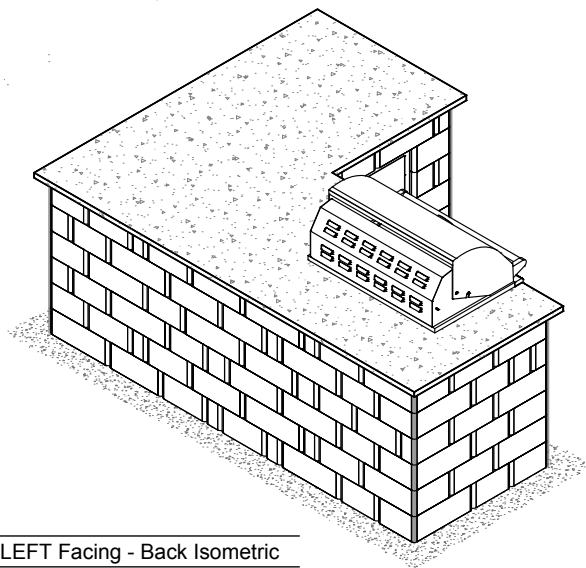
RIGHT Facing - Front Isometric



LEFT Facing - Front Isometric



RIGHT Facing - Back Isometric



LEFT Facing - Back Isometric

RIGHT FACING

Page 3

LEFT FACING

Page 13

## RIGHT FACING

### Outdoor Grill Station Quantity Totals:

Stonegate Unit quantities as follows:

- Large Unit "A" - 16"/14" = 56 Units
- Medium Unit "B" - 12"/10" = 54 Units
- Small Unit "C" - 6"/4" = 57 Units

## LEFT FACING

### Outdoor Grill Station Quantity Totals:

Stonegate Unit quantities as follows:

- Large Unit "A" - 16"/14" = 54 Units
- Medium Unit "B" - 12"/10" = 55 Units
- Small Unit "C" - 6"/4" = 57 Units

For **Accessories** - see page 2

### General Note:

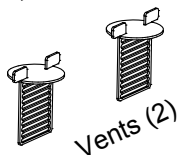
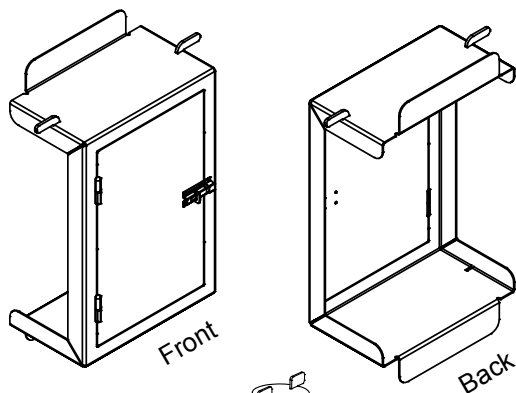
In consideration of freeze / thaw issues during the cold weather season it is recommended that this outdoor Built-In Grill Station element be protected from rain, snow and ice as necessary.



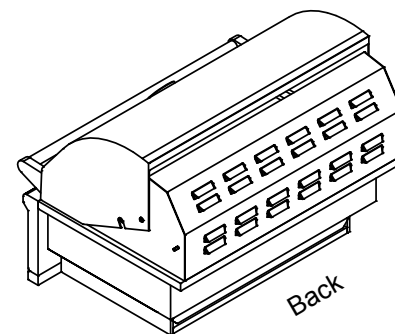
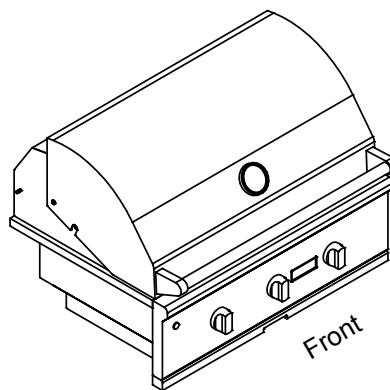
# L-Shaped Grill Station - With Seating

## ACCESSORIES Sold Separately

Note:  
This built-in grill head insert shown for display purposes only.

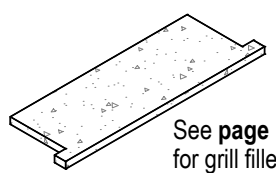


See **page 10 or 20** for access door details.



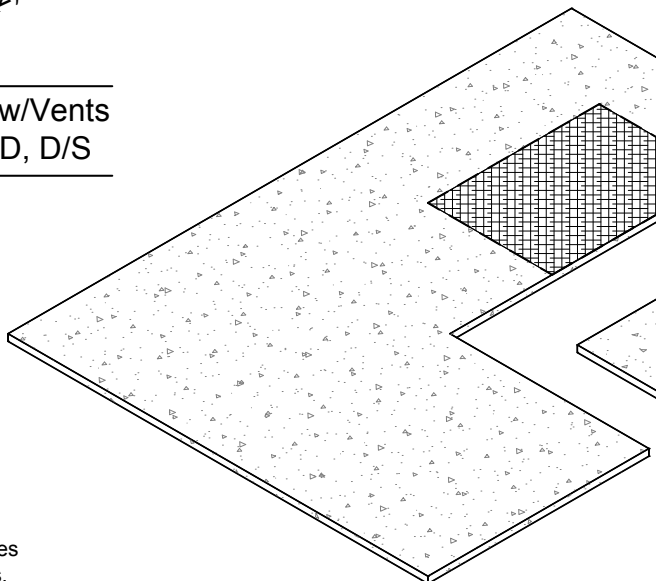
Built-In Grill Head Insert

Access Door w/Vents  
Model FPI - D, D/S



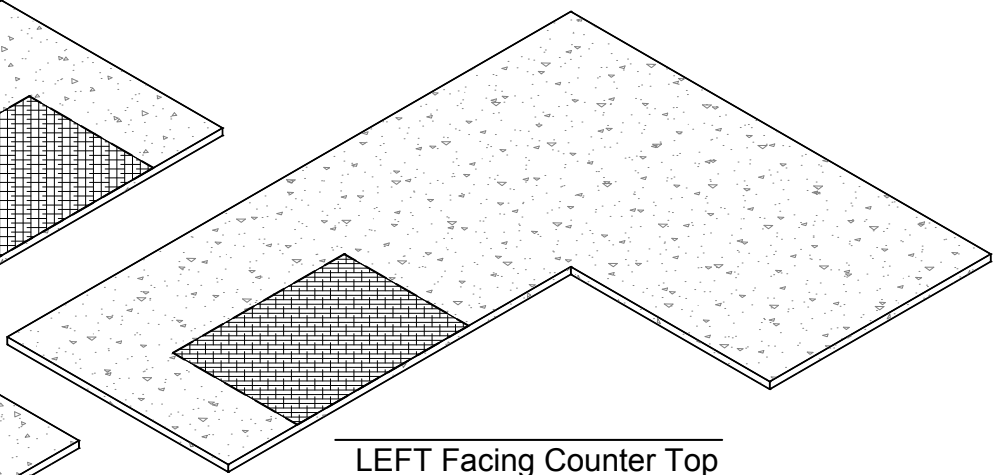
See **page 12 or 22** for grill filler piece dimensions.

Grill Filler Piece



RIGHT Facing Counter Top

See **page 12** for right facing counter top dimensions.



LEFT Facing Counter Top

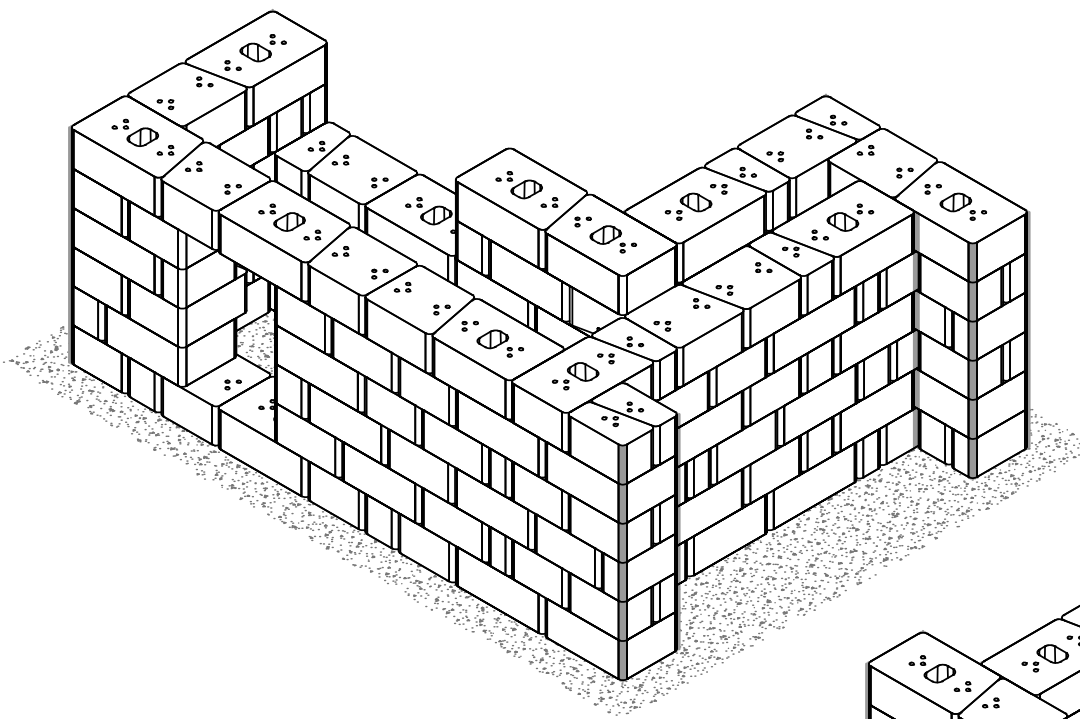
See **page 22** for left facing counter top dimensions.

Stonegate Note:  
This Outdoor Living Element design uses Stonegate No-Cut Designs accessories. See Stonegate No-Cut accessories list for qualifying manufacturers and models.



# L-Shaped Grill Station - With Seating

www.keystonehardscapes.com



Grill Station Back Isometric

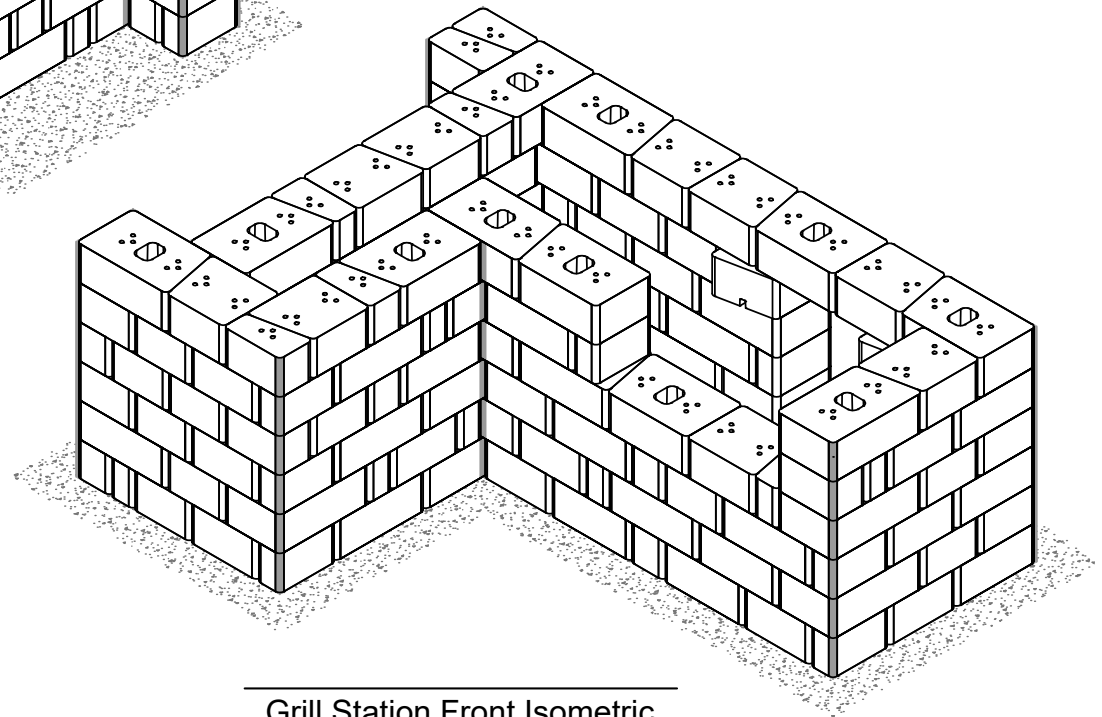
## Outdoor Grill Station Quantity Totals:

Stonegate Unit quantities as follows:

- Large Unit "A" - 16"/14" = 56 Units
- Medium Unit "B" - 12"/10" = 54 Units
- Small Unit "C" - 6"/4" = 57 Units

## Note:

Structural support for block units over openings not shown for visual purposes.



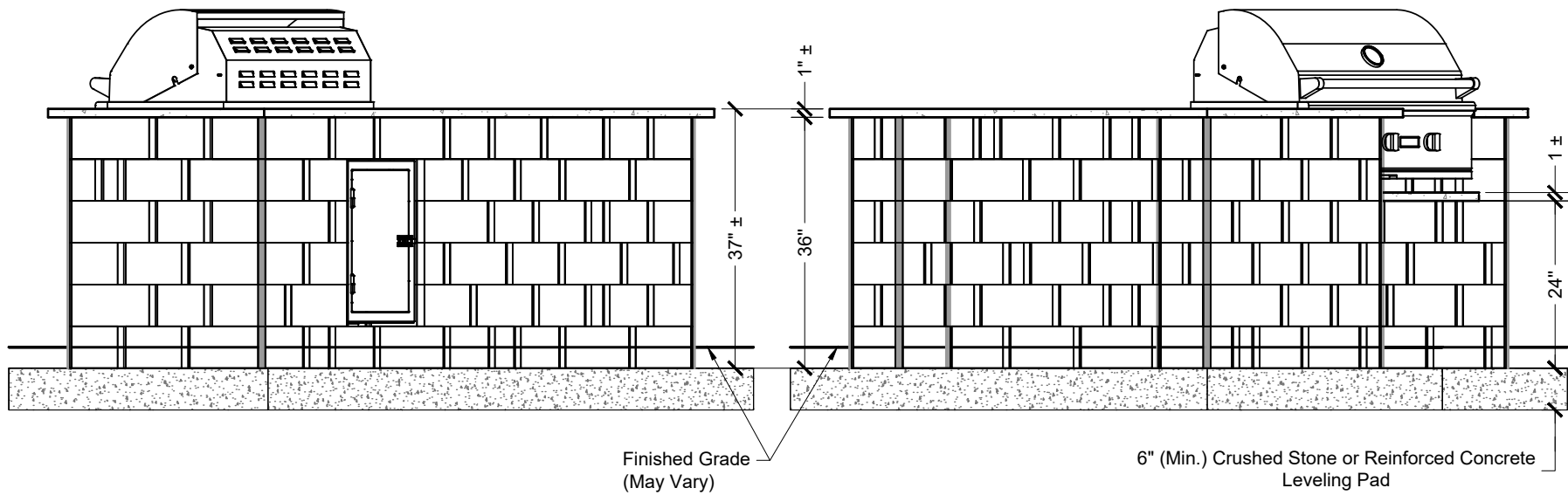
Grill Station Front Isometric

### General Note:

In consideration of freeze / thaw issues during the cold weather season it is recommended that this outdoor Built-In Grill Station element be protected from rain, snow and ice as necessary.



# L-Shaped Grill Station - With Seating



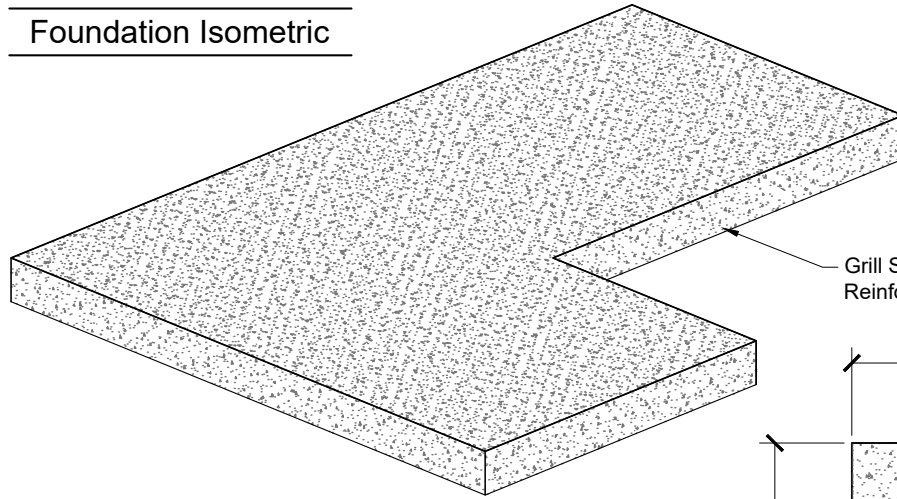
Grill Station Back Rotated Elevation

Grill Station Front Rotated Elevation



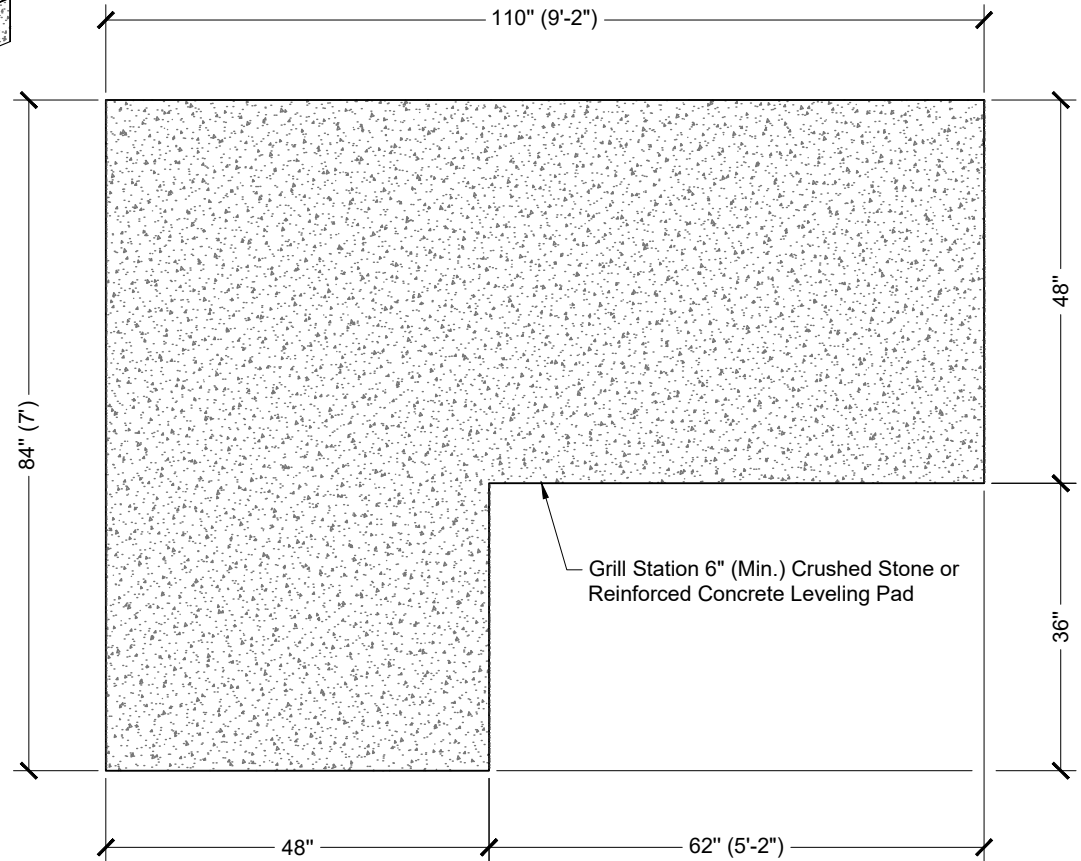
# L-Shaped Grill Station - With Seating

Foundation Isometric



Grill Station 6" (Min.) Crushed Stone or Reinforced Concrete Leveling Pad

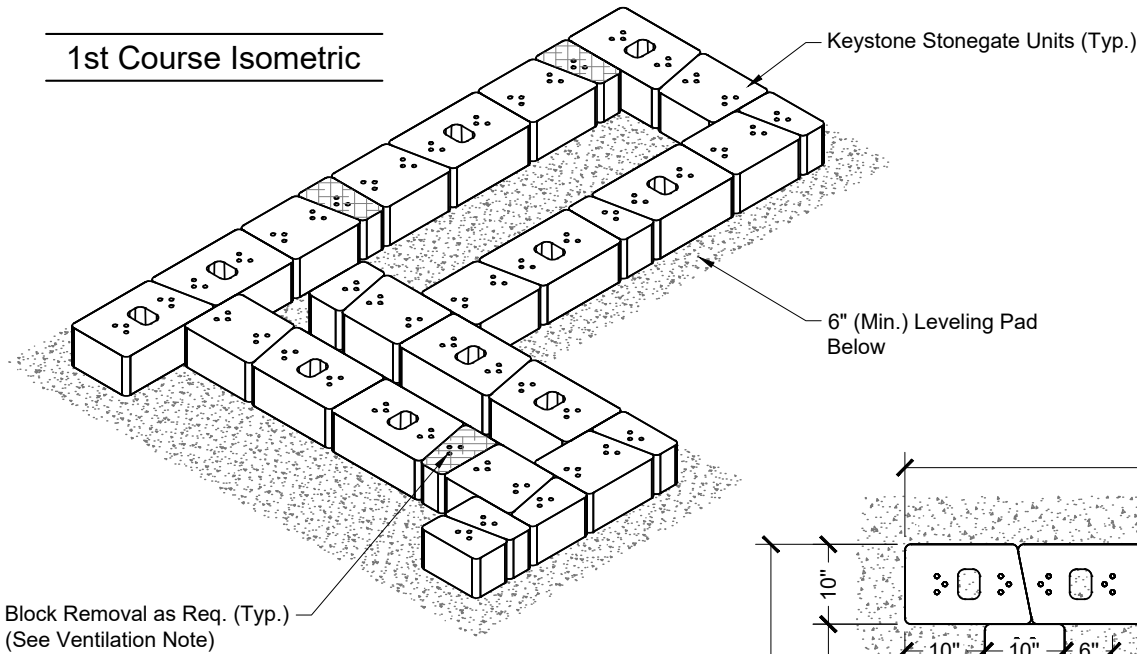
Foundation Plan



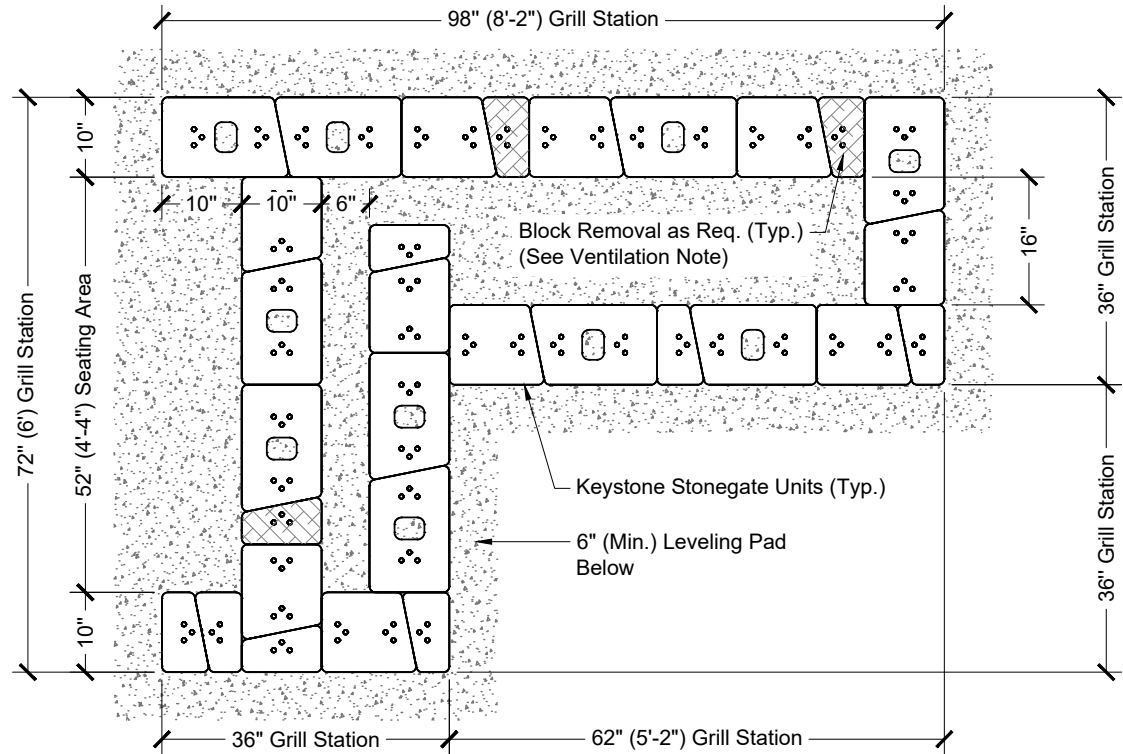


# L-Shaped Grill Station - With Seating

1st Course Isometric



1st Course Plan



**Ventilation Note:**

The grill head insert manufacturer may recommend ventilation of the interior grill station area from a potential gas build up. If so, depending on the recommendations, one or two blocks from either the 1st course or 2nd course may be removed as needed. Only remove blocks from one chosen course. Blocks marked with criss cross hatching are designated for removal as required on this course.

As needed a small animal screen insert can be supplied to place in the block removal area.

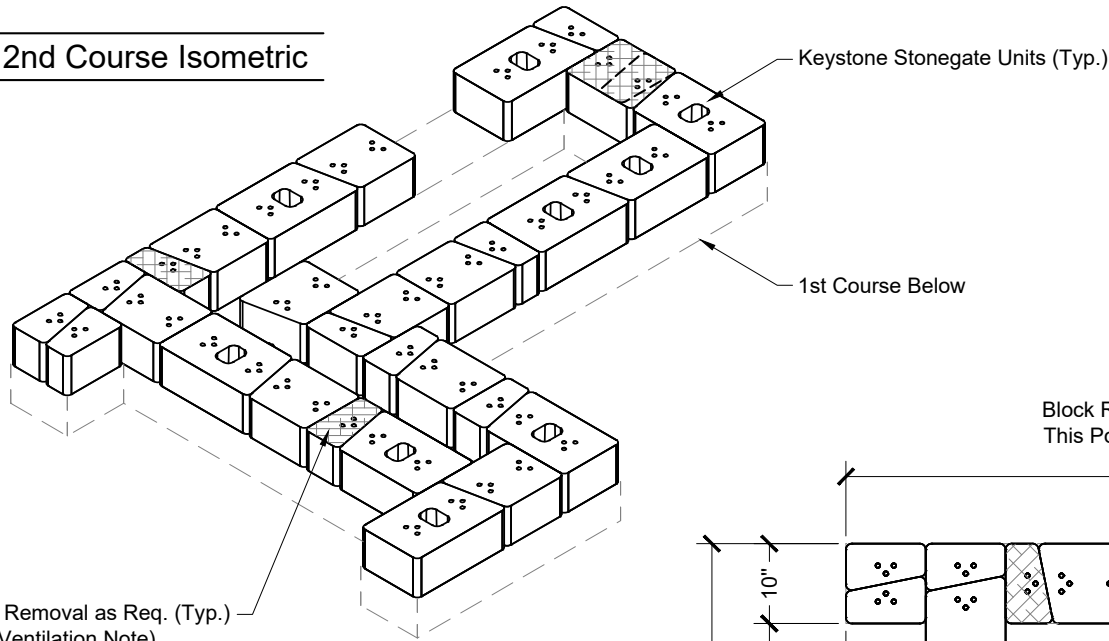
If the 2nd course is to be used for venting, place and carefully compact crushed stone or similar material to form a dense floor in the entire 1st course interior open area of the grill station.

The removed 2nd course blocks may be place in the 1st course interior open area in conjunction with fill material or in the grill station element itself, as needed.



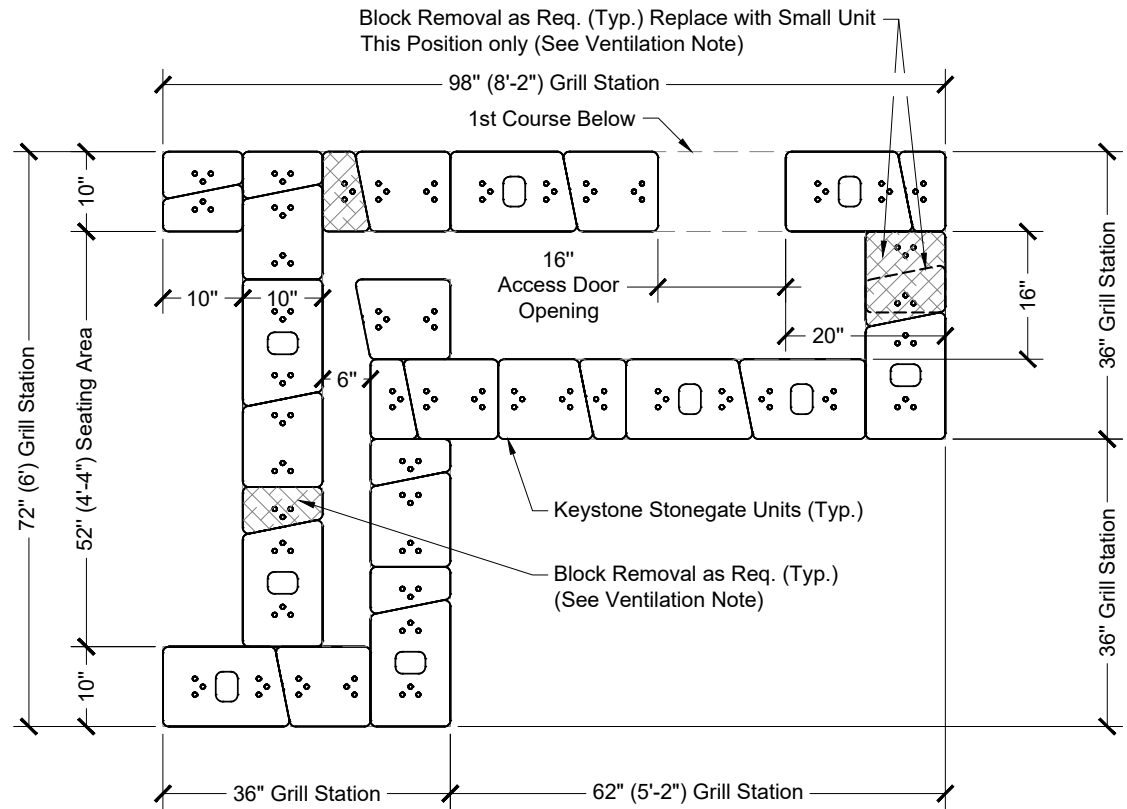
# L-Shaped Grill Station - With Seating

2nd Course Isometric



Block Removal as Req. (Typ.)  
(See Ventilation Note)

2nd Course Plan



**Ventilation Note:**

The grill head insert manufacturer may recommend ventilation of the interior grill station area from a potential gas build up. If so, depending on the recommendations, one or two blocks from either the 1st course or 2nd course may be removed as needed. Only remove blocks from one chosen course. Blocks marked with criss cross hatching are designated for removal as required on this course. As needed a small animal screen insert can be supplied to place in the block removal area.

If the 2nd course is to be used for venting, place and carefully compact crushed stone or similar material to form a dense floor in the entire 1st course interior open area of the grill station.

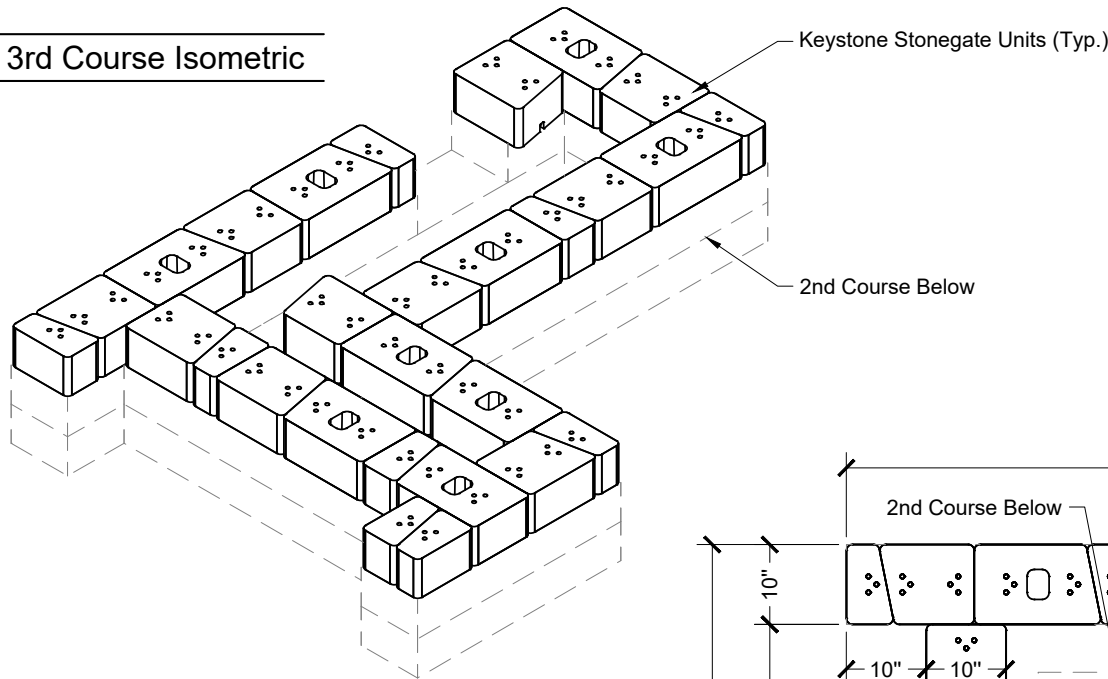
The removed 2nd course blocks may be place in the 1st course interior open area in conjunction with fill material or in the grill station element itself, as needed.



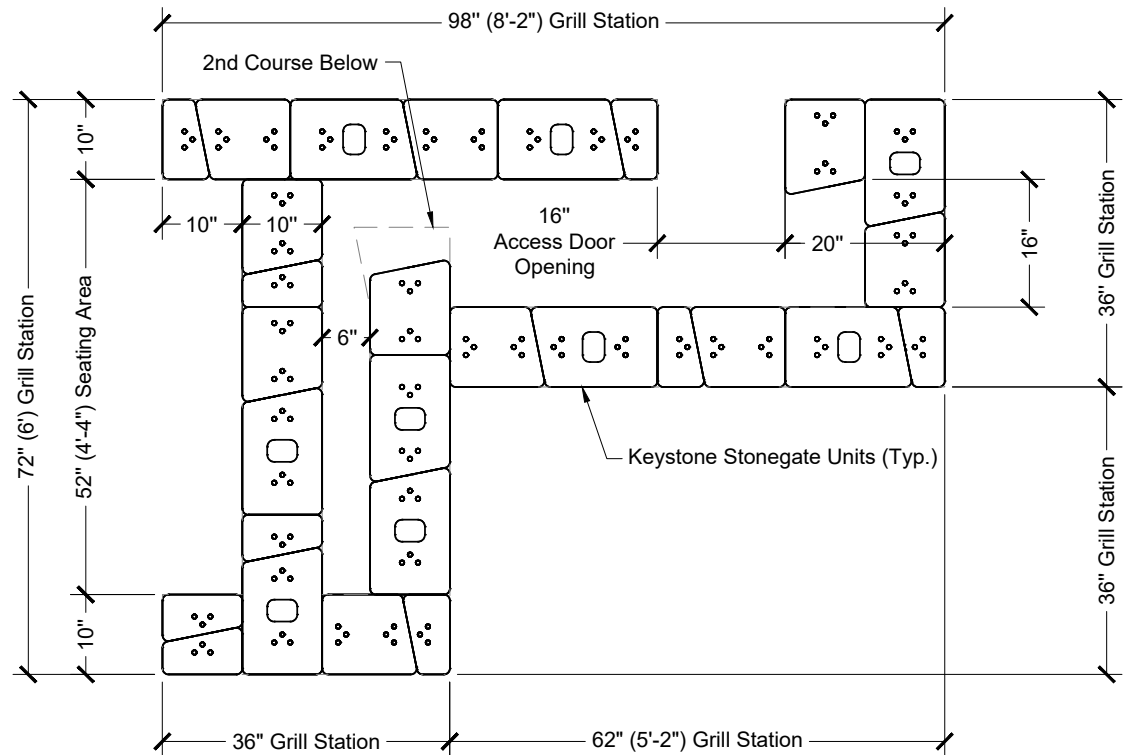


# L-Shaped Grill Station - With Seating

3rd Course Isometric



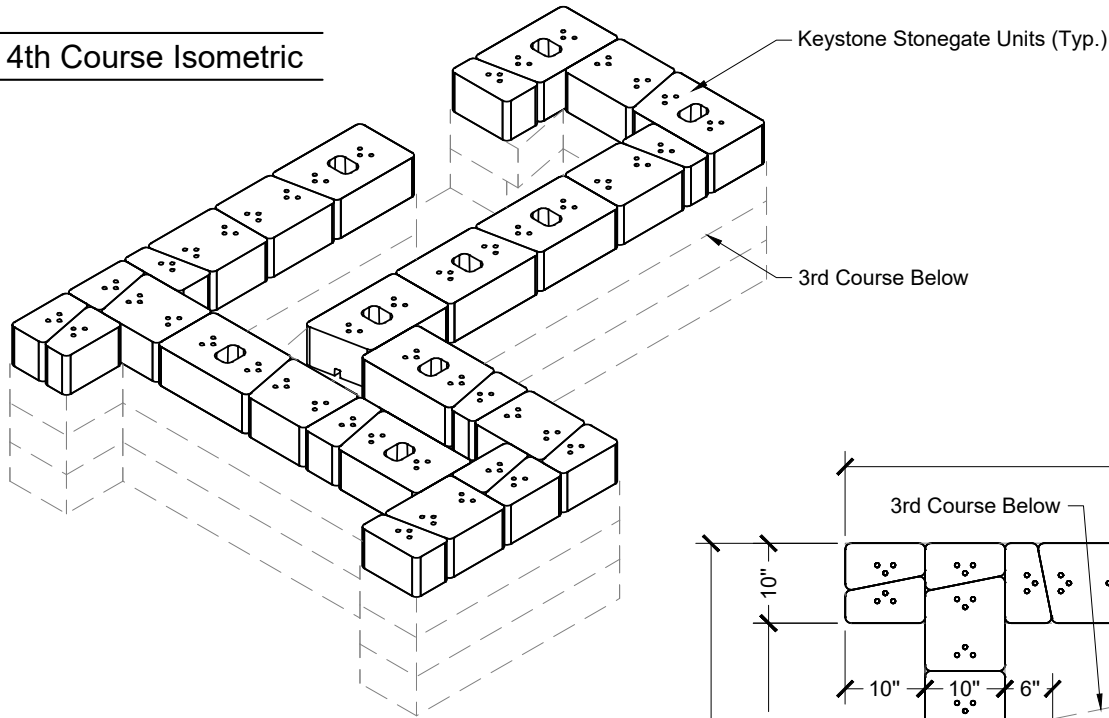
3rd Course Plan



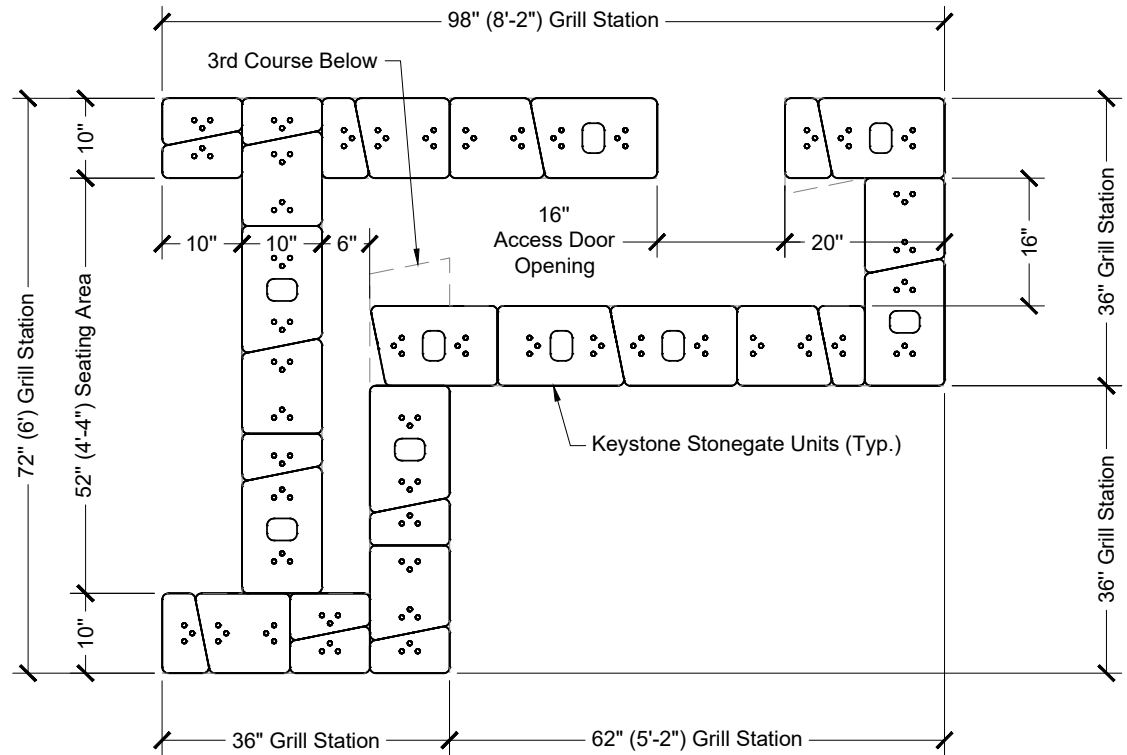


# L-Shaped Grill Station - With Seating

4th Course Isometric



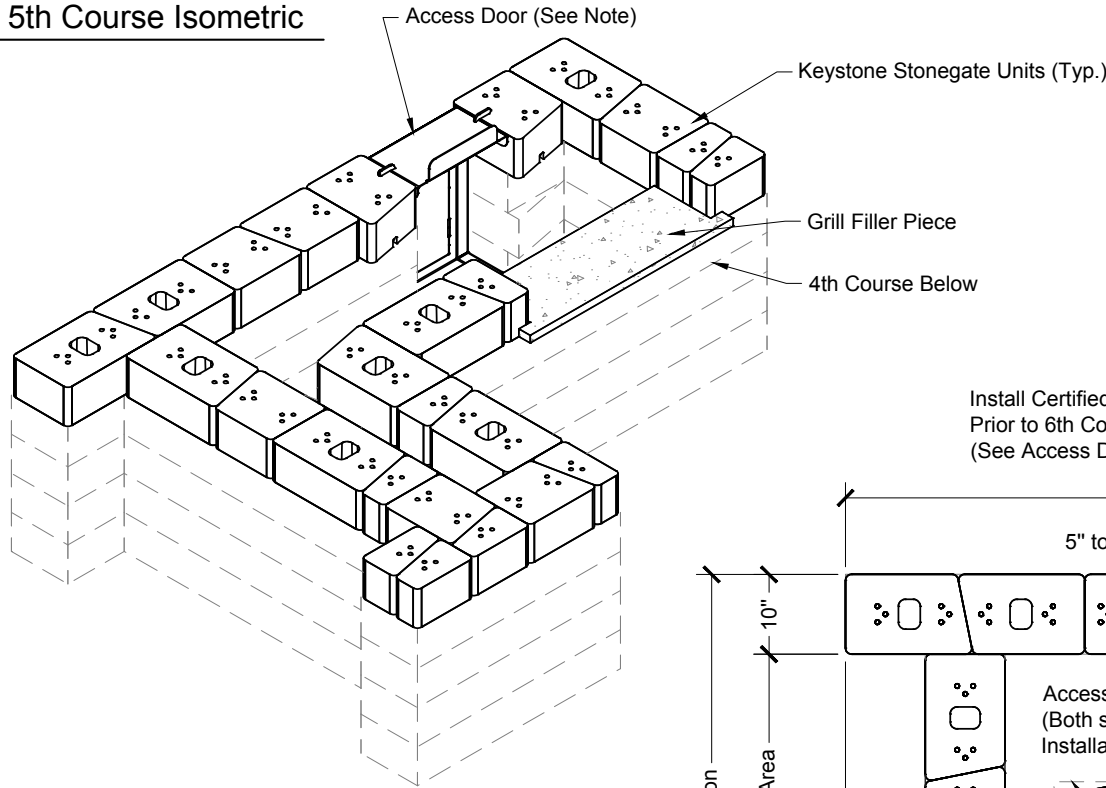
4th Course Plan





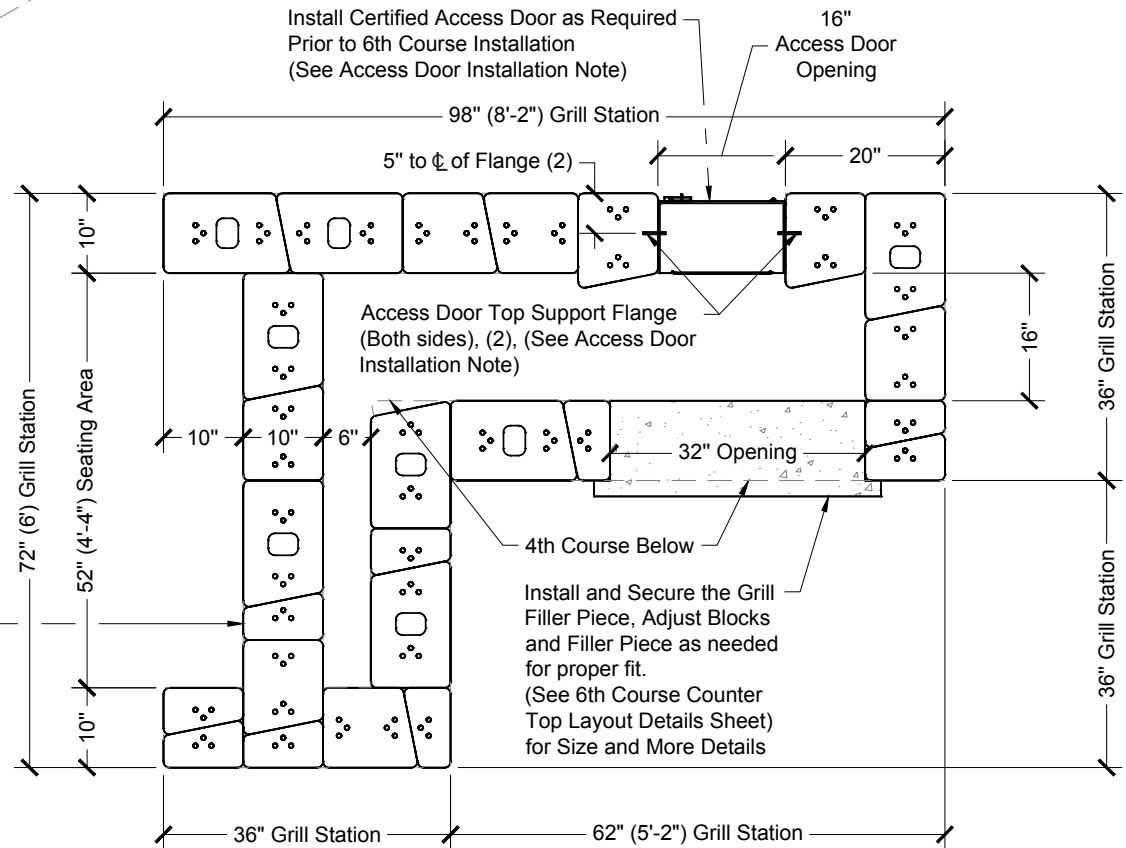
# L-Shaped Grill Station - With Seating

5th Course Isometric



5th Course Plan

Keystone Stonegate Units (Typ.)



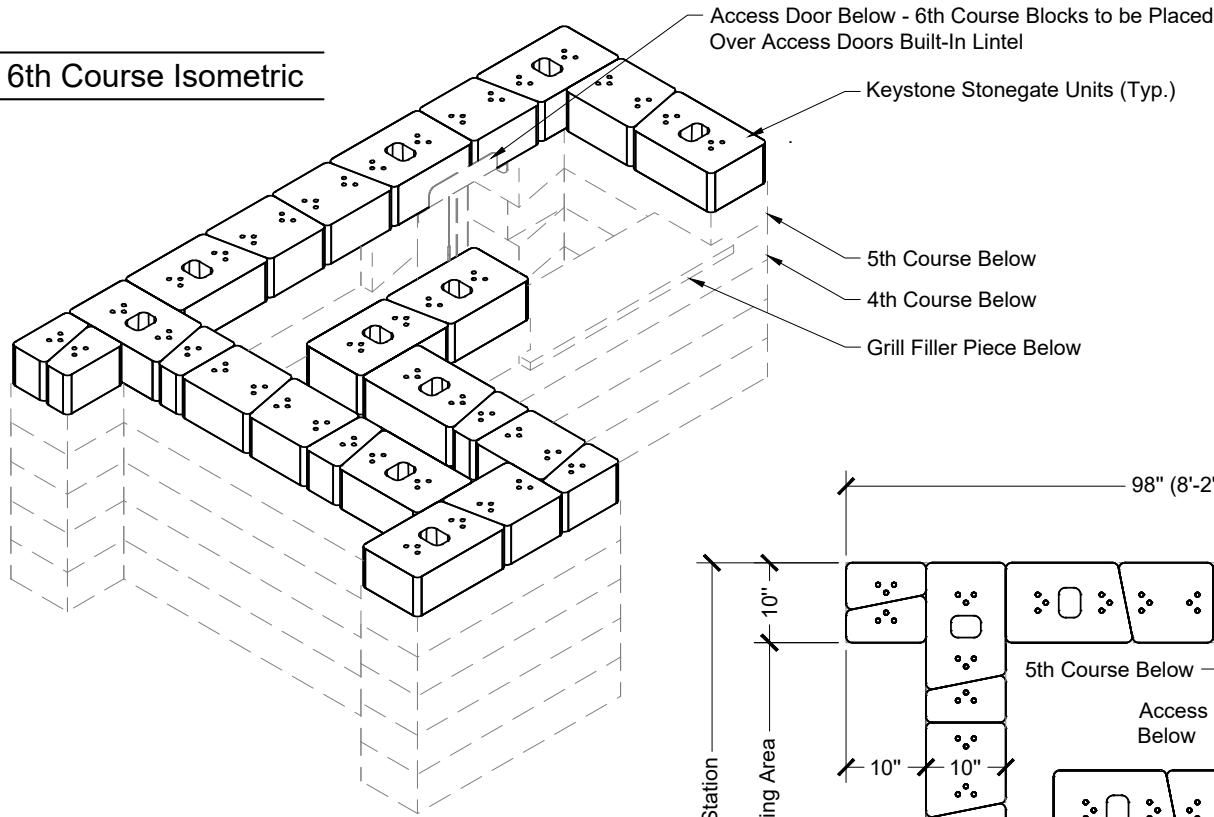
**Access Door Installation Note:**

Align the access door in the door opening so that the access door top support flanges of the door frame are resting on top of the 5th course blocks. Make sure the top support flanges are bearing equally on the blocks on both sides of the opening and they also are 5" back from the outside face of the blocks to the center of the flange so the 6th course block pin connecting channels will be centered over the top support flanges. After the 6th course blocks are placed, if needed, reposition the access door assembly and secure in place as instructed.

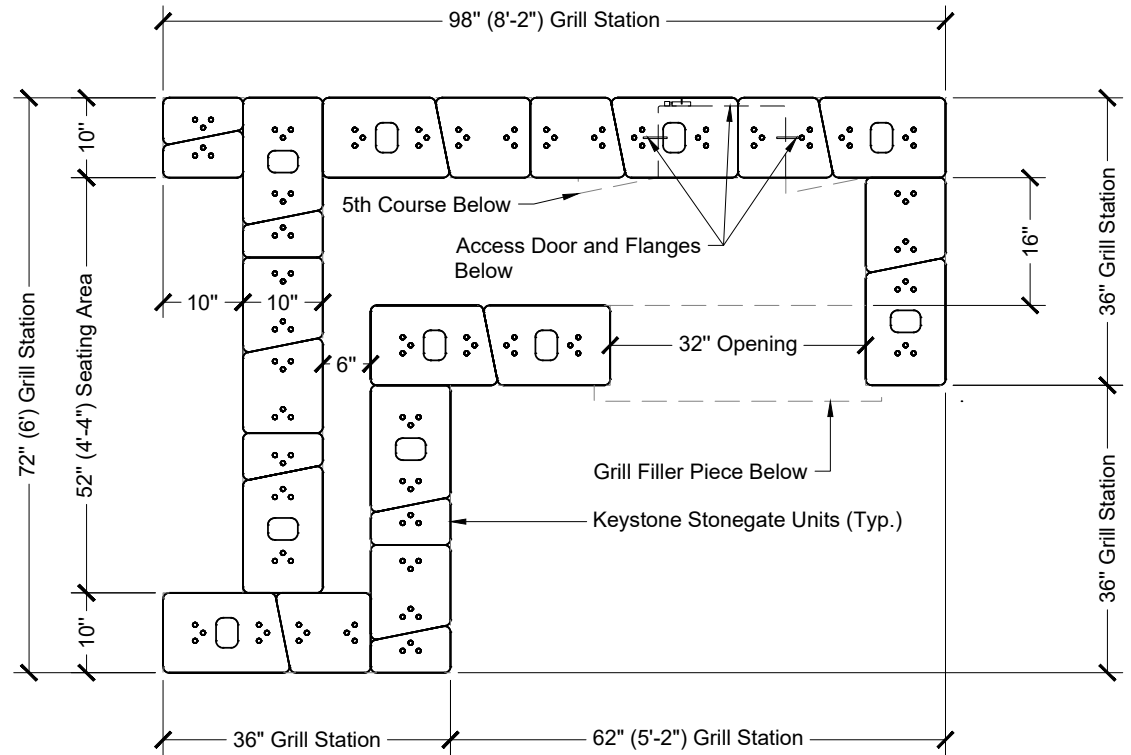


# L-Shaped Grill Station - With Seating

6th Course Isometric



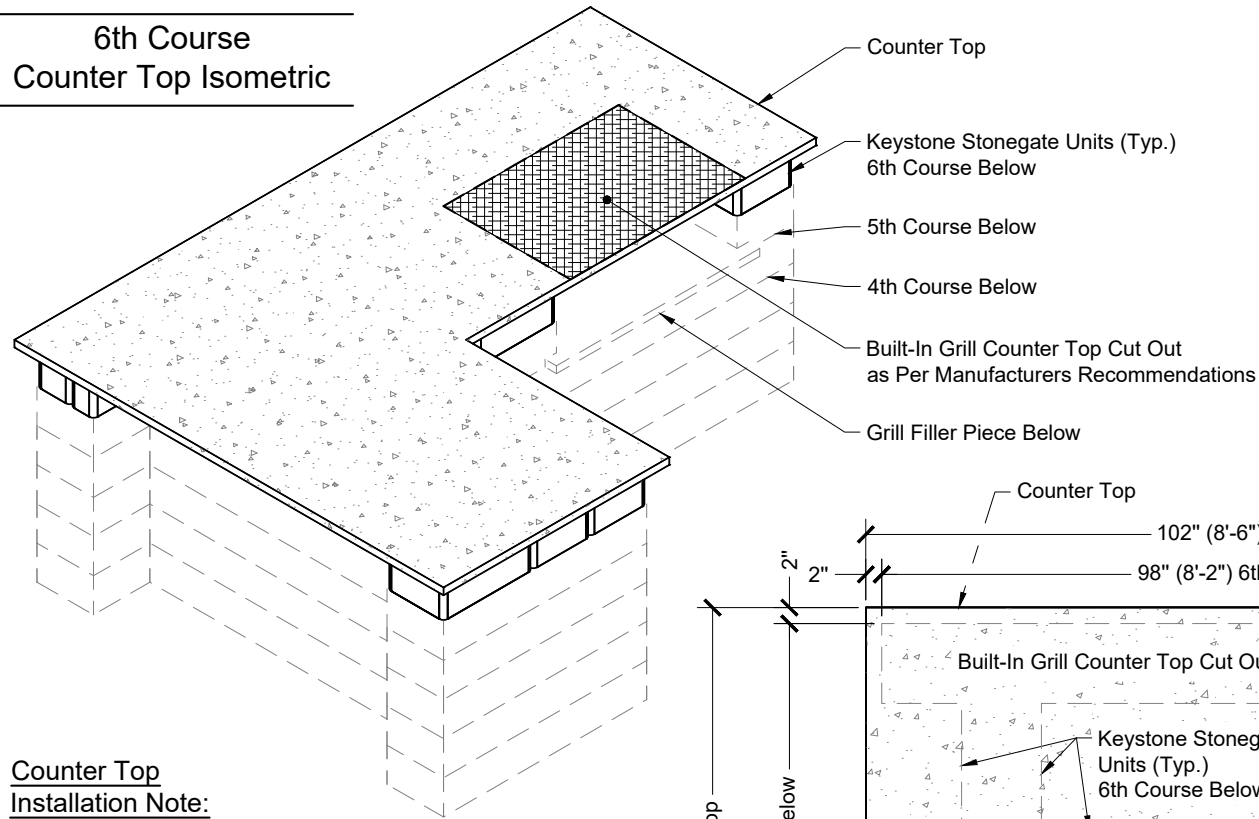
6th Course Plan





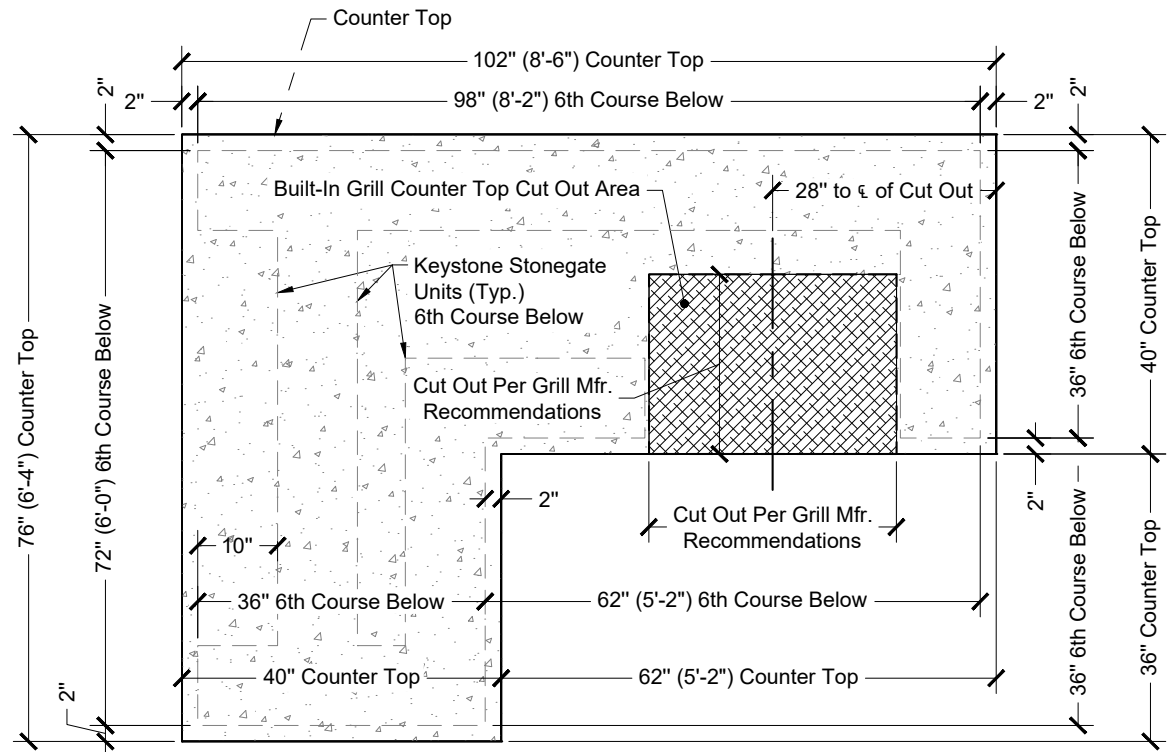
# L-Shaped Grill Station - With Seating

**6th Course Counter Top Isometric**



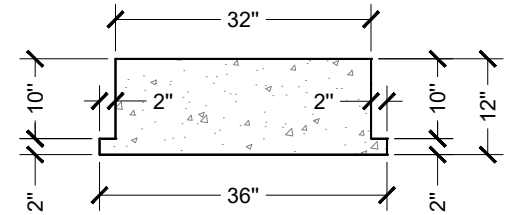
**Counter Top Installation Note:**  
 Unless otherwise directed install and secure counter top with approved adhesive or bonding agent.

**6th Course Counter Top Plan**



**Grill Filler Piece Note:**

Filler piece is from 5th course layout below. It is to be made from the same material as the counter top, (1"± thick). Secure filler piece with approved adhesive or bonding agent.

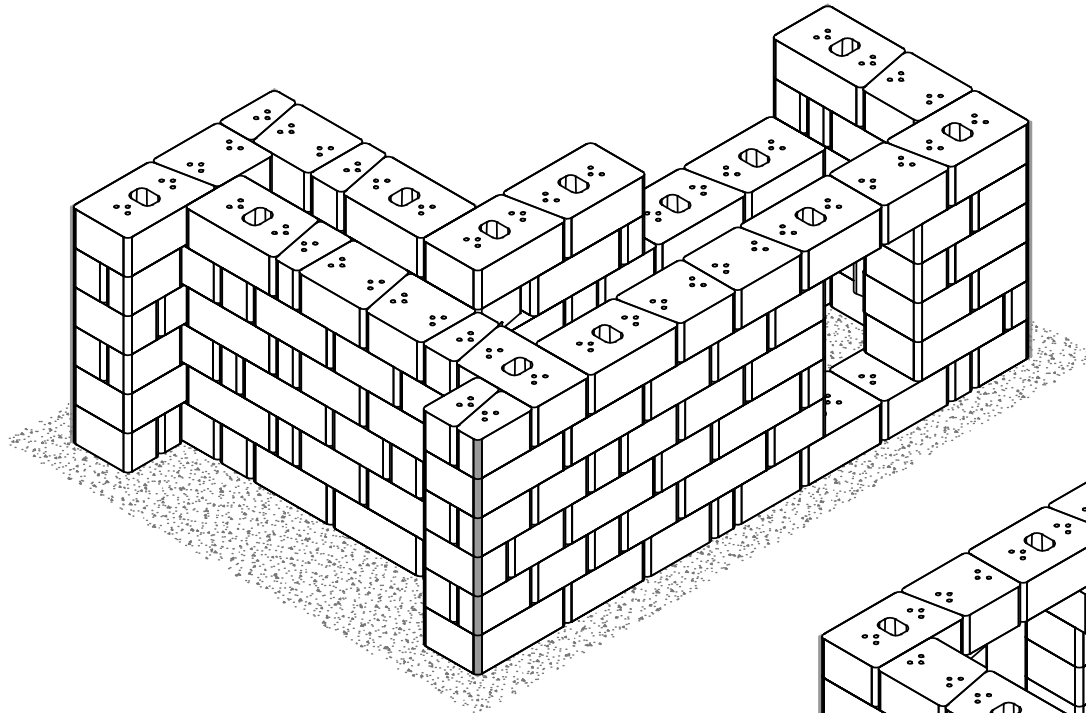


**Grill Filler Piece Plan View Detail**

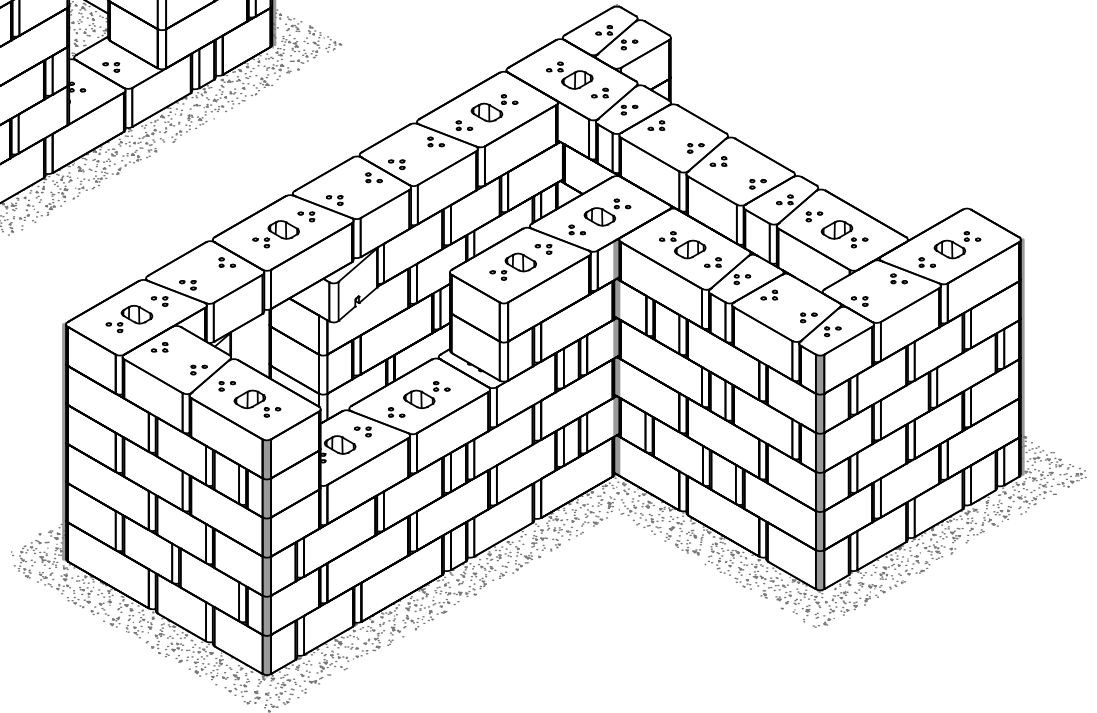


# L-Shaped Grill Station - With Seating

www.keystonehardscapes.com



Grill Station Base Back Isometric



Grill Station Base Front Isometric

## Outdoor Grill Station Quantity Totals:

Stonegate Unit quantities as follows:

- Large Unit "A" - 16"/14" = 54 Units
- Medium Unit "B" - 12"/10" = 55 Units
- Small Unit "C" - 6"/4" = 57 Units

## Note:

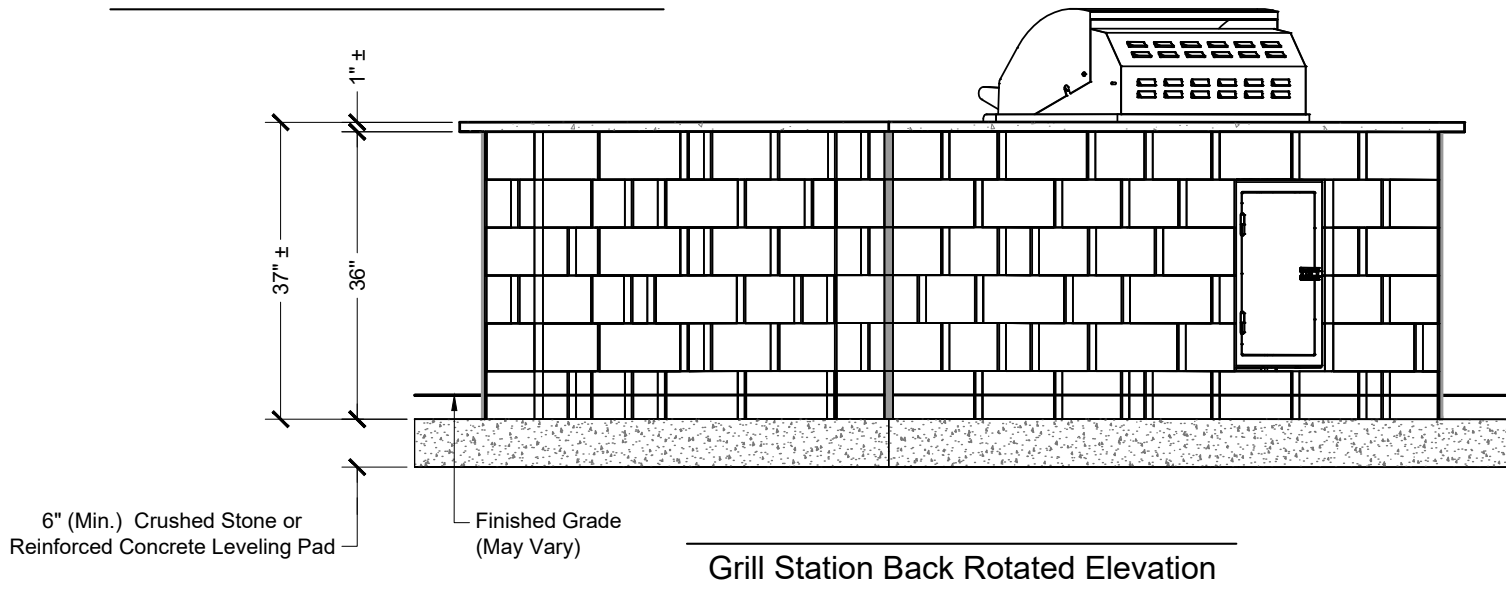
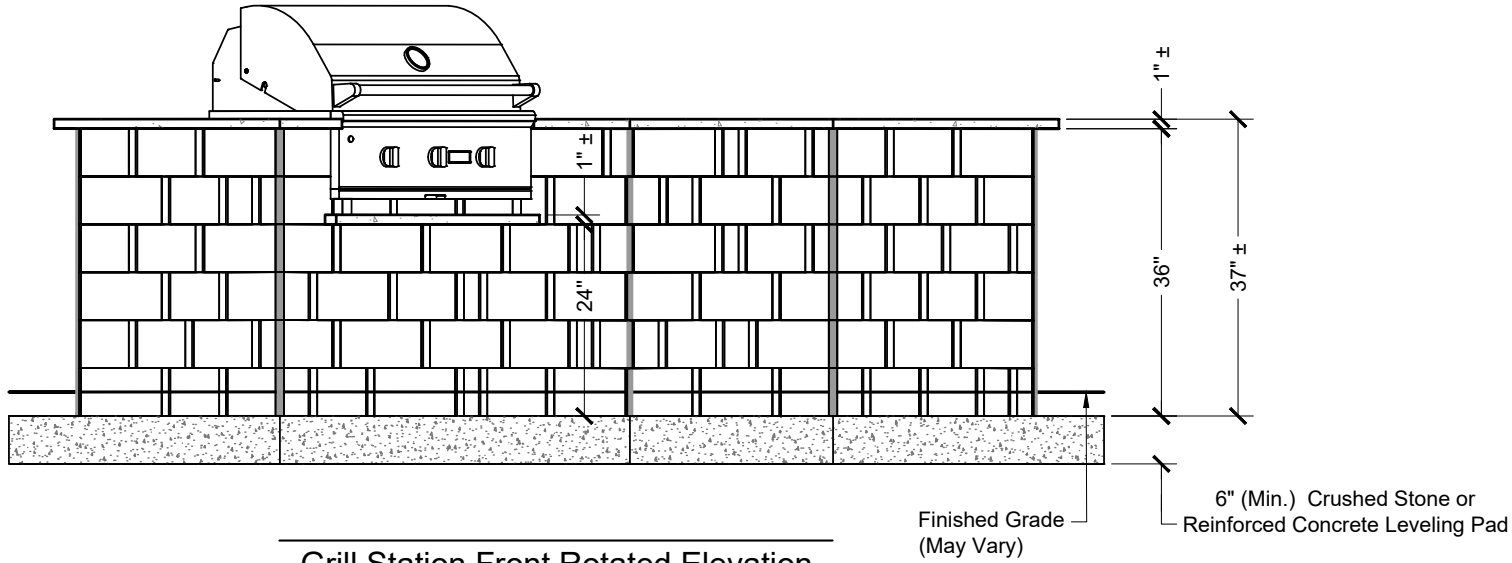
Structural support for block units over openings not shown for visual purposes.

### General Note:

In consideration of freeze / thaw issues during the cold weather season it is recommended that this outdoor Built-In Grill Station element be protected from rain, snow and ice as necessary.



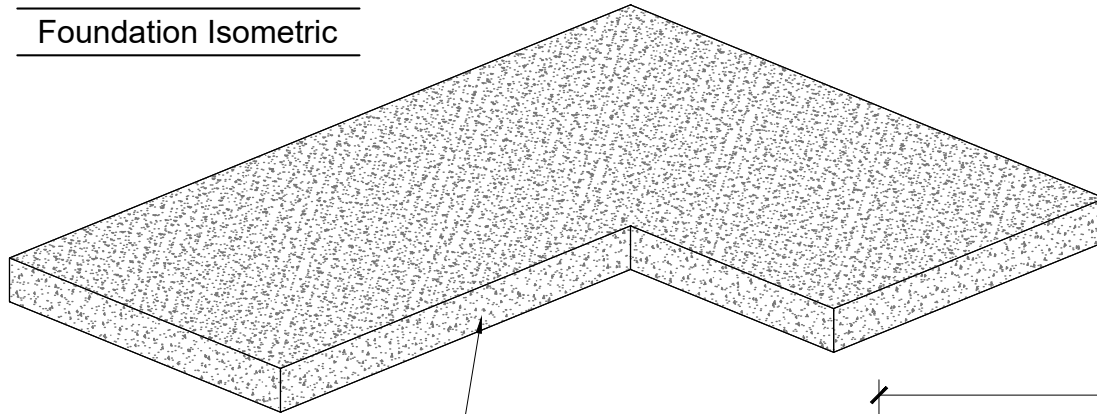
# L-Shaped Grill Station - With Seating





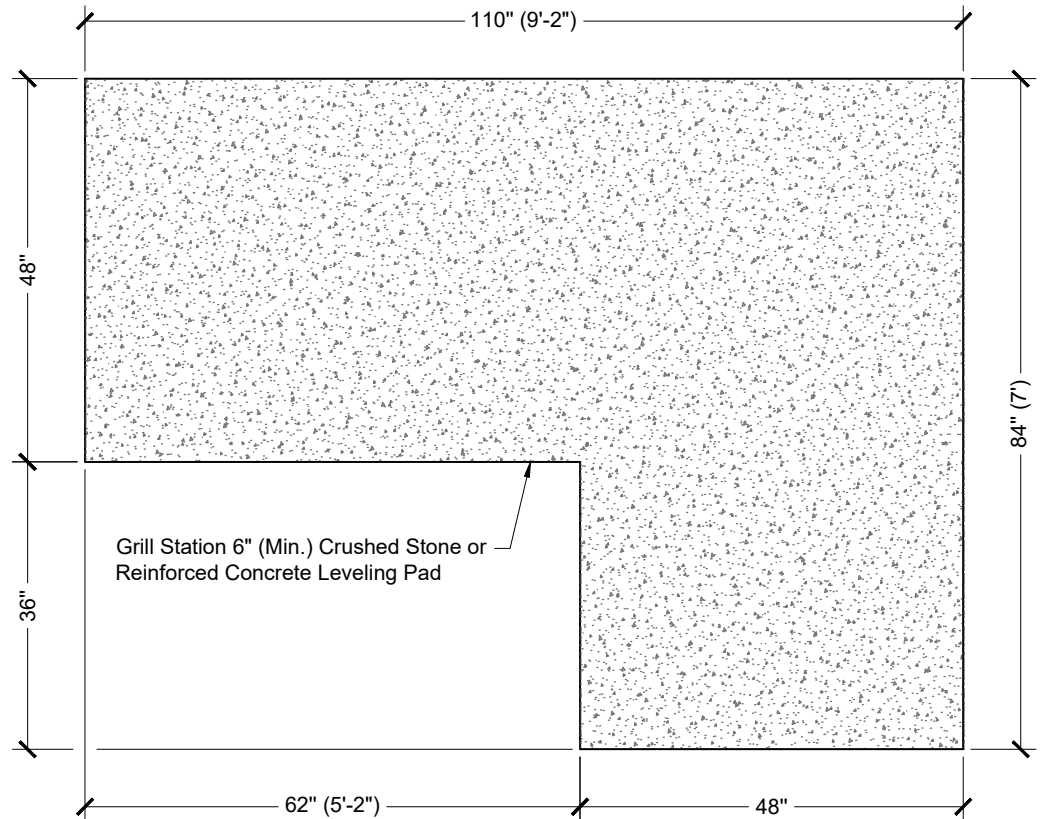
# L-Shaped Grill Station - With Seating

Foundation Isometric



Grill Station 6" (Min.) Crushed Stone or Reinforced Concrete Leveling Pad

Foundation Plan



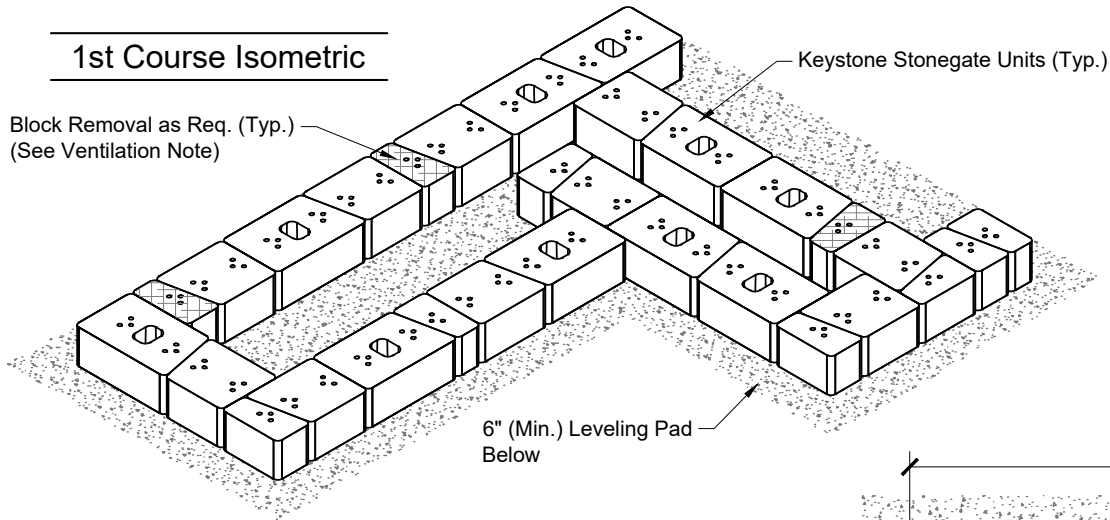




# L-Shaped Grill Station - With Seating

www.keystonehardscapes.com

## 1st Course Isometric



### Ventilation Note:

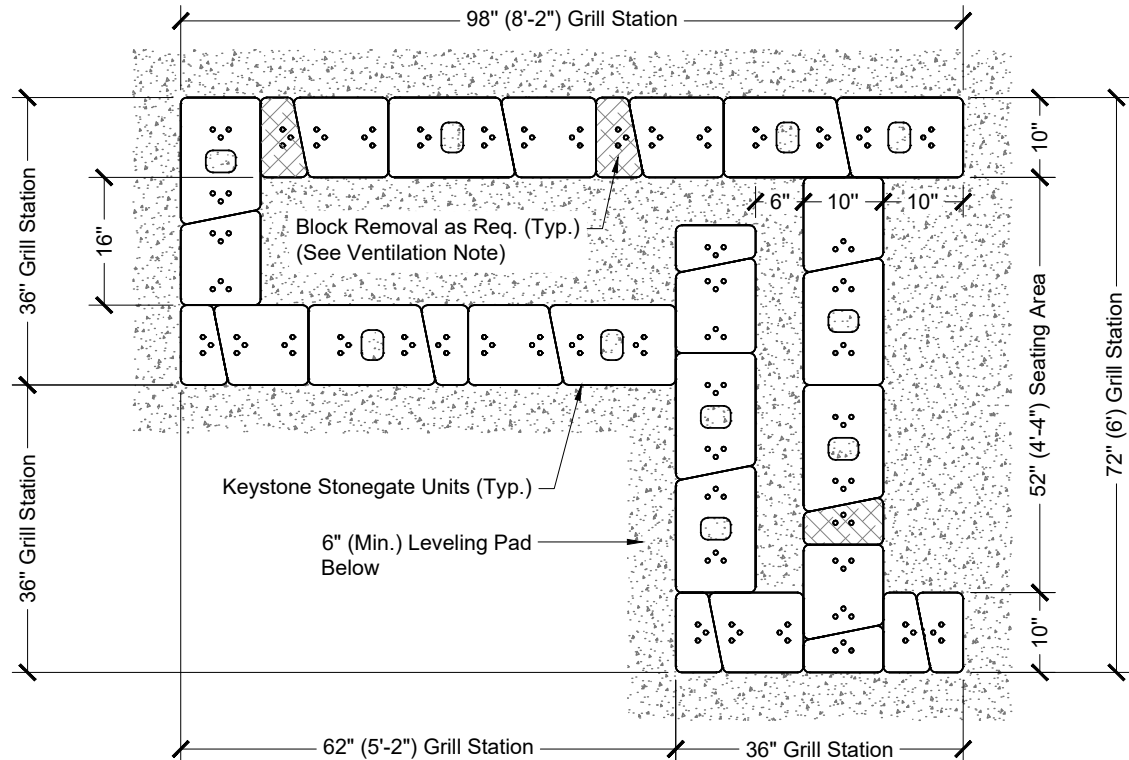
The grill head insert manufacturer may recommend ventilation of the interior grill station area from a potential gas build up. If so, depending on the recommendations, one or two blocks from either the 1st course or 2nd course may be removed as needed. Only remove blocks from one chosen course. Blocks marked with criss cross hatching are designated for removal as required on this course.

As needed a small animal screen insert can be supplied to place in the block removal area.

If the 2nd course is to be used for venting, place and carefully compact crushed stone or similar material to form a dense floor in the entire 1st course interior open area of the grill station.

The removed 2nd course blocks may be place in the 1st course interior open area in conjunction with fill material or in the grill station element itself, as needed.

## 1st Course Plan

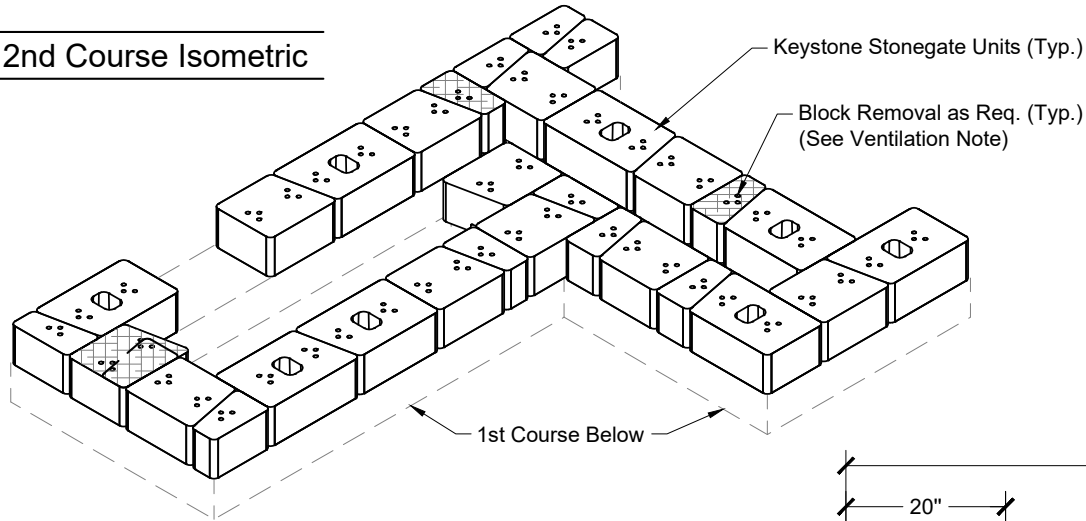




# L-Shaped Grill Station - With Seating

www.keystonehardscapes.com

## 2nd Course Isometric



### Ventilation Note:

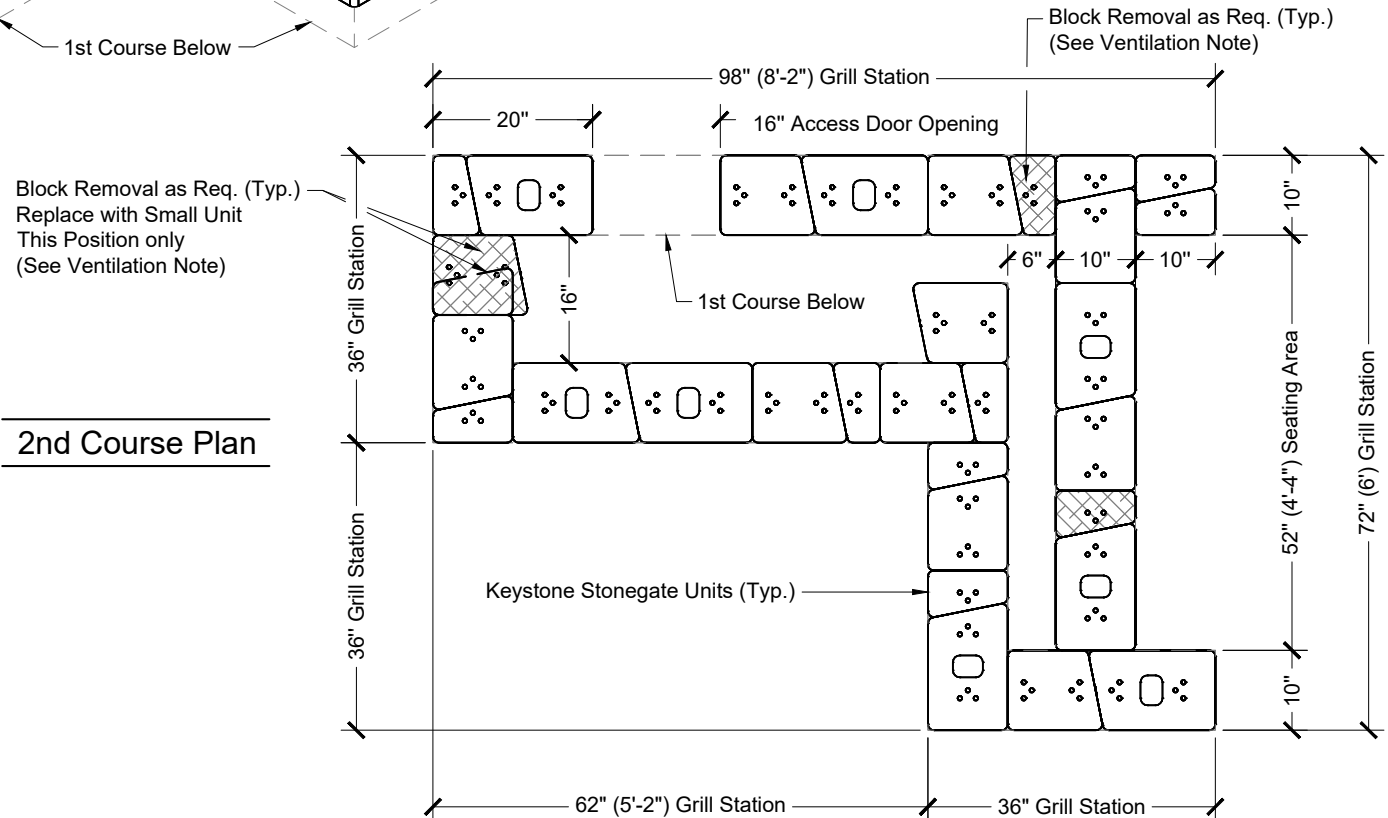
The grill head insert manufacturer may recommend ventilation of the interior grill station area from a potential gas build up. If so, depending on the recommendations, one or two blocks from either the 1st course or 2nd course may be removed as needed. Only remove blocks from one chosen course. Blocks marked with criss cross hatching are designated for removal as required on this course.

As needed a small animal screen insert can be supplied to place in the block removal area.

If the 2nd course is to be used for venting, place and carefully compact crushed stone or similar material to form a dense floor in the entire 1st course interior open area of the grill station.

The removed 2nd course blocks may be place in the 1st course interior open area in conjunction with fill material or in the grill station element itself, as needed.

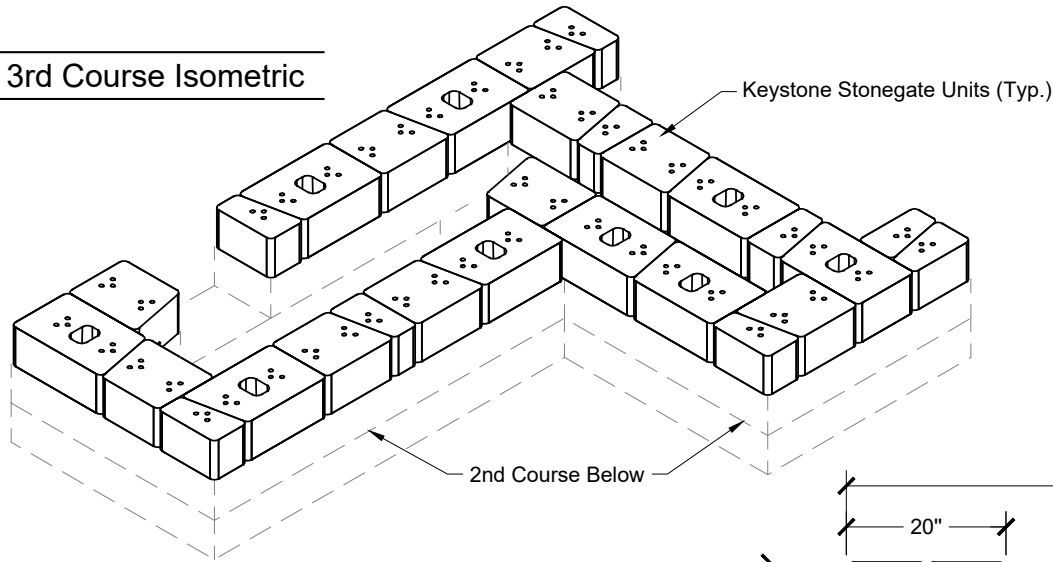
## 2nd Course Plan



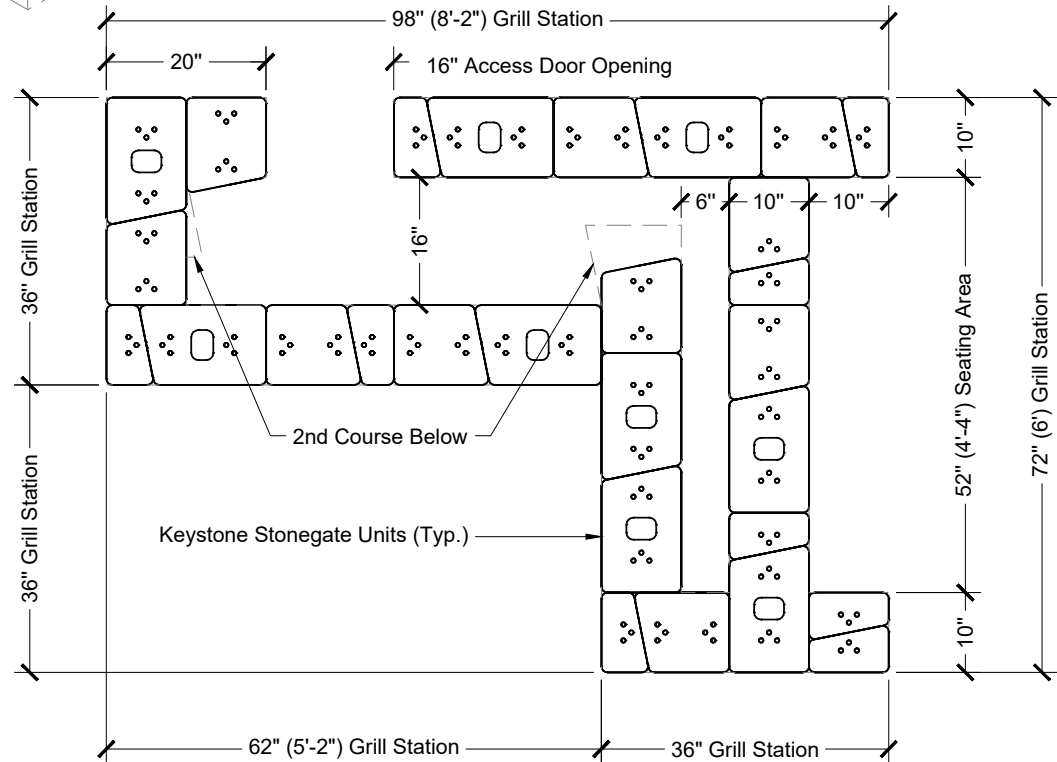


# L-Shaped Grill Station - With Seating

3rd Course Isometric



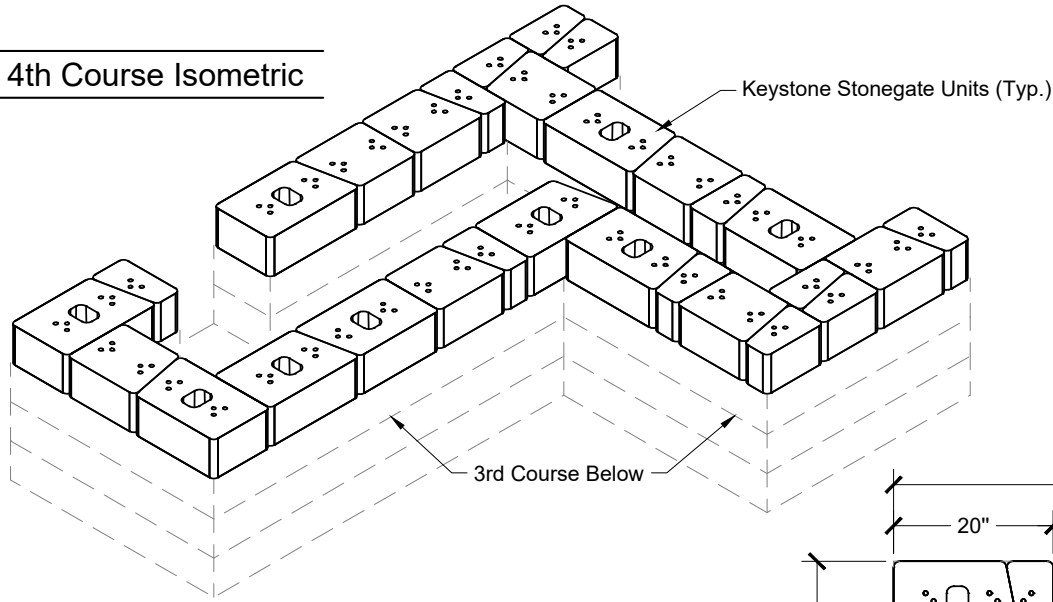
3rd Course Plan



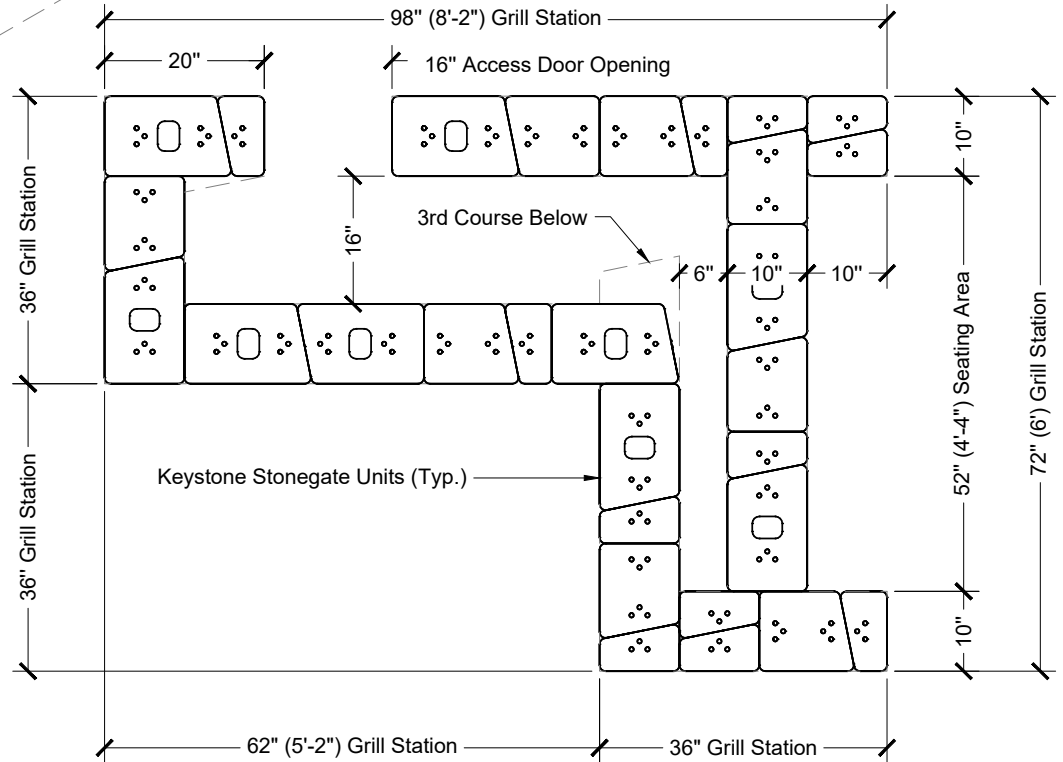


# L-Shaped Grill Station - With Seating

4th Course Isometric



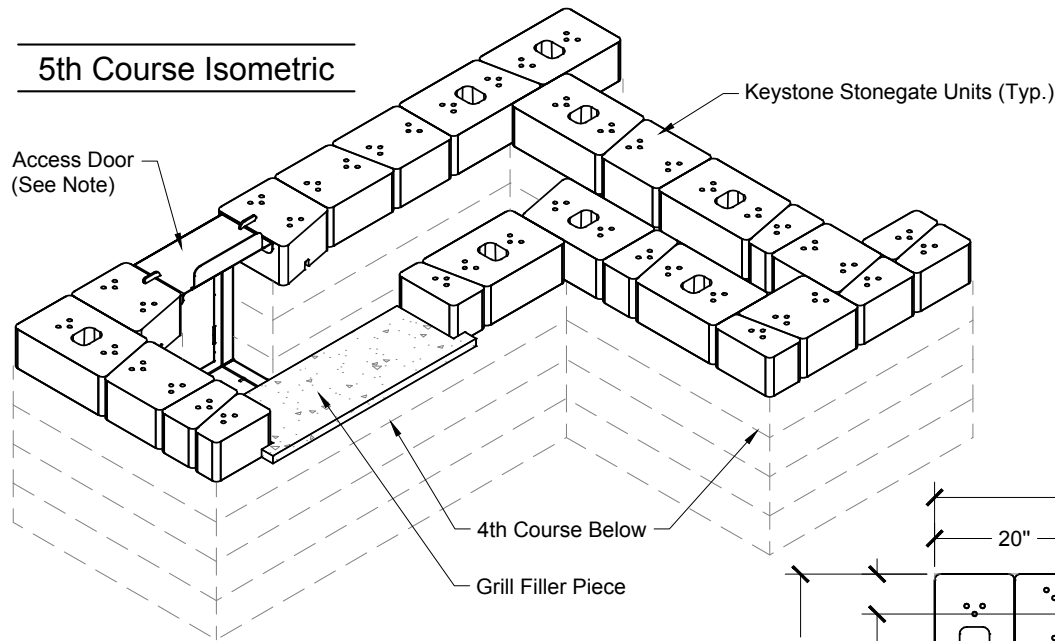
4th Course Plan



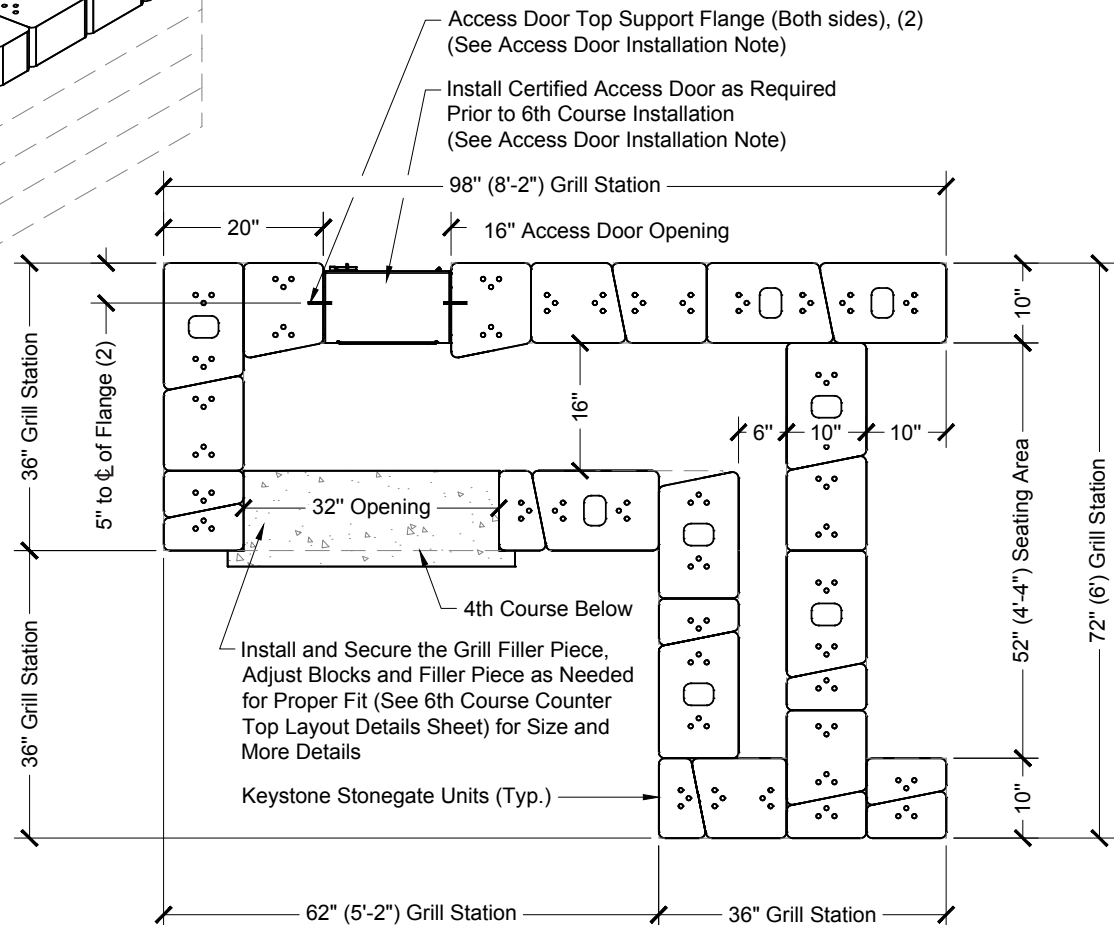


# L-Shaped Grill Station - With Seating

www.keystonehardscapes.com



**5th Course Plan**



**Access Door Installation Note:**

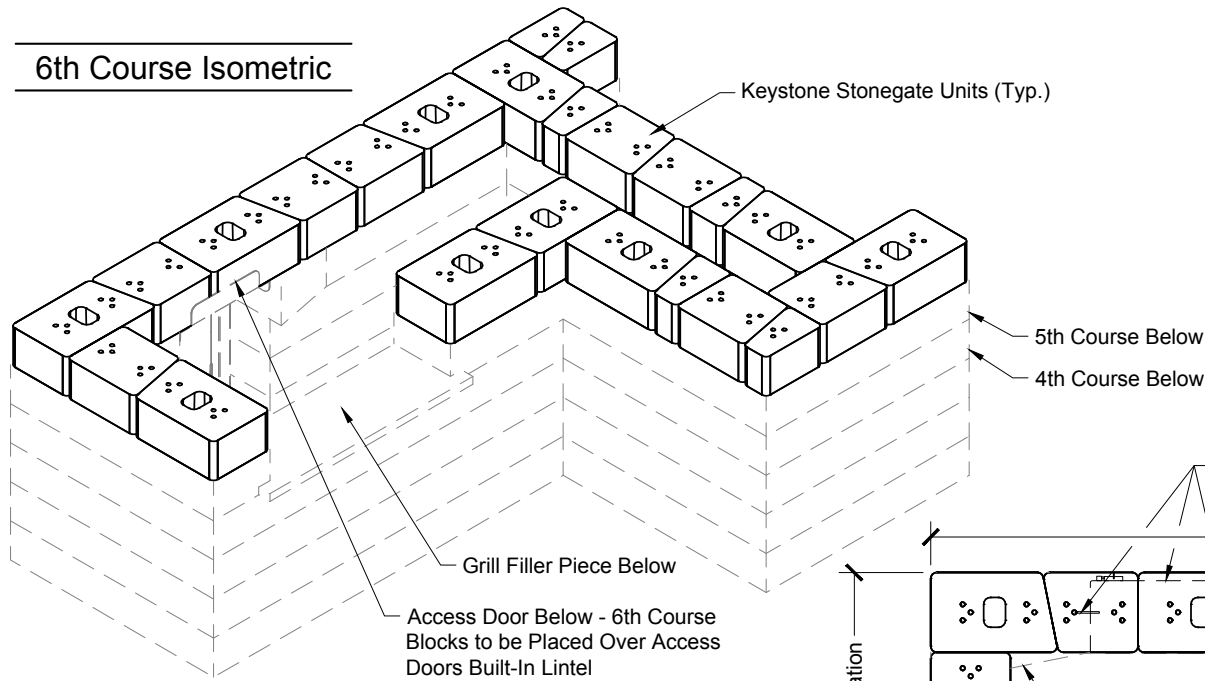
Align the access door in the door opening so that the access door top support flanges of the door frame are resting on top of the 5th course blocks.

Make sure the top support flanges are bearing equally on the blocks on both sides of the opening and they also are 5" back from the outside face of the blocks to the center of the flange so the 6th course block pin connecting channels will be centered over the top support flanges. After the 6th course blocks are placed, if needed, reposition the access door assembly and secure in place as instructed.

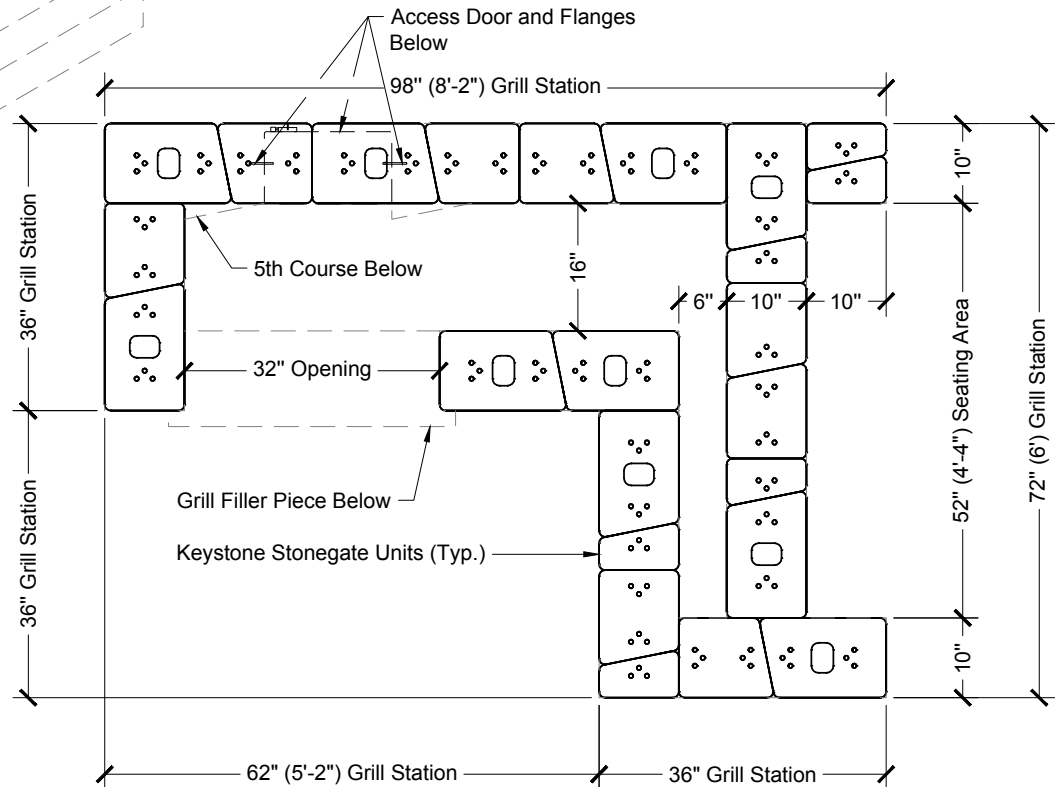


# L-Shaped Grill Station - With Seating

6th Course Isometric



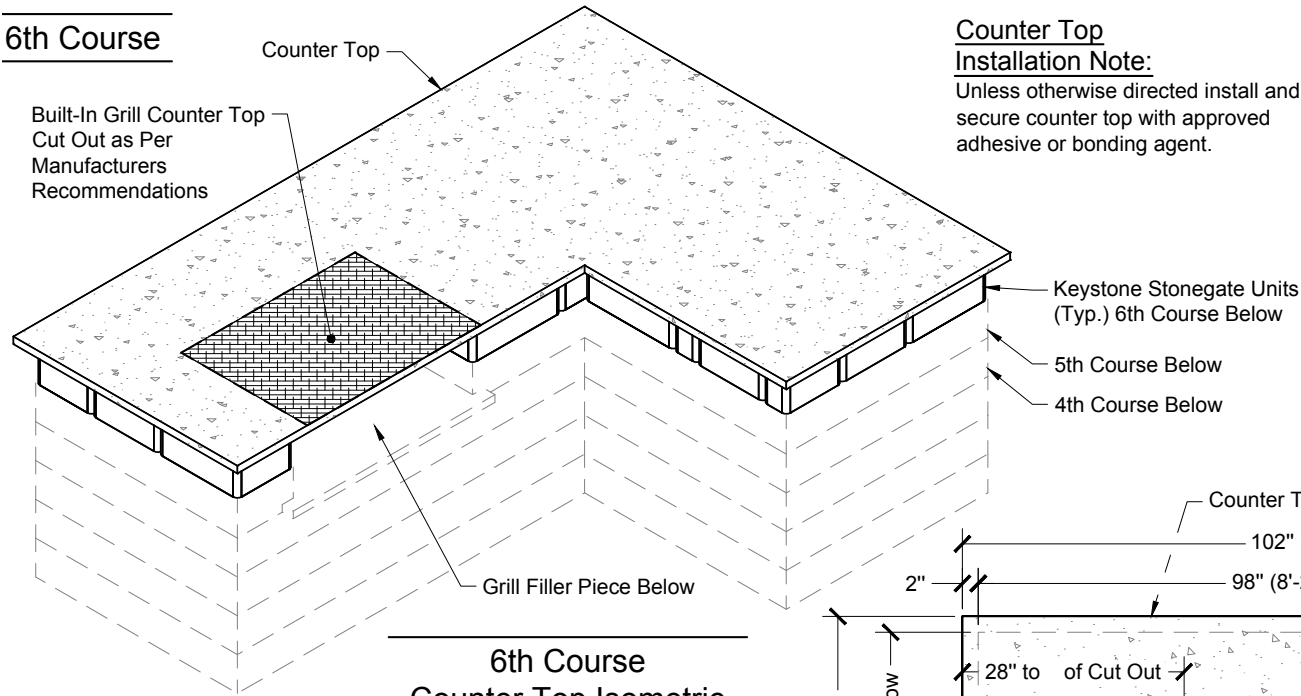
6th Course Plan





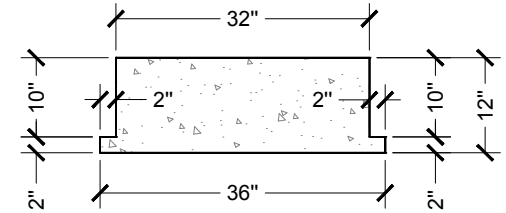
# L-Shaped Grill Station - With Seating

## 6th Course



**Counter Top Installation Note:**  
 Unless otherwise directed install and secure counter top with approved adhesive or bonding agent.

**Grill Filler Piece Note:**  
 Filler piece is from 5th course layout below. It is to be made from the same material as the counter top, (1"± thick). Secure filler piece with approved adhesive or bonding agent.



Grill Filler Piece Plan View Detail

6th Course Counter Top Isometric

6th Course Counter Top Plan

